



SUPER DUTY 7+4 HYDRAULIC DRIVE FORAGE BOX

PARTS BOOK



Revision #04
Starting Serial #410120

HSMFG0117

Part #64211

**Manufactured By
H&S MANUFACTURING CO.,INC.**

**P.O. BOX 768 (715) 387-3414 FAX (715) 384-5463
MARSHFIELD, WISCONSIN 54449**

CONTENTS

Instructions for Ordering Parts.	1
Figure 1 - Housing Components (Sides).	2-3
Figure 2 - Housing Components (Front & Bottom).	4-5
Figure 3 - Beaters.	6-9
Figure 4 - Main Apron Drive.	10-13
Figure 5 - Cross Apron Drive.	14-15
Figure 6 - Extension.	16-17
Figure 7 - Hydraulic Drive.	18-21
Figure 8 - Beater Clutch.	22-23
Figure 9 - Variable Speed Drive.	24-27
Figure 10 - Shields.	28-29
Figure 11 - Beater Gearbox	30-31
Figure 12 - Worm Gearbox.	32-33
Figure 13 - Rear Unload Assembly.	34-37
Figure 14 - Industrial 2-Way Unload.	38-41
Figure 15 - 4th Beater Option	42-43
Figure 16 - Light Harness	44-45
Figure 17 - Unit Harness Routing.	46-47
Figure 18 - Hydraulic Drive Control Box.	48-49
Figure 19 - Extension Hydraulics.	50-51
Figure 20 - Air Gate Delay	52-53
Figure 21 - Hydraulic Gate Delay	54-55
Figure 22 - Tie-down	56
Parts Notes	57-58

INSTRUCTIONS FOR ORDERING PARTS

All service parts should be ordered through your authorized H&S dealer. They will be able to give you faster service if you will provide them with the following

1. Model & Serial number is located in the front center of the box.
2. All reference to left or right apply to the Super Duty as viewed from the rear.
3. Parts should not be ordered from illustration only. Please order by complete part number.
4. If your dealer has to order parts - give shipping instructions:

VIA truck - large pieces (please specify local truck lines)

VIA United Parcel Service (include full address)

H&S MFG. CO. INC.	
MARSHFIELD, WIS.	
MOD. NO.	<input type="text"/>
SER. NO.	<input type="text"/>
DESCR.	<input type="text"/>

PLEASE RECORD NUMBERS FOR YOUR UNIT FOR QUICK REFERENCE

ABOUT IMPROVEMENTS

H&S IS CONTINUALLY STRIVING TO IMPROVE IT'S PRODUCTS

We must therefore, reserve the right to make improvements or changes whenever it becomes practical to do so without incurring any obligation to make changes or additions to the equipment previously sold.

FIGURE 1

HOUSING COMPONENTS SIDES

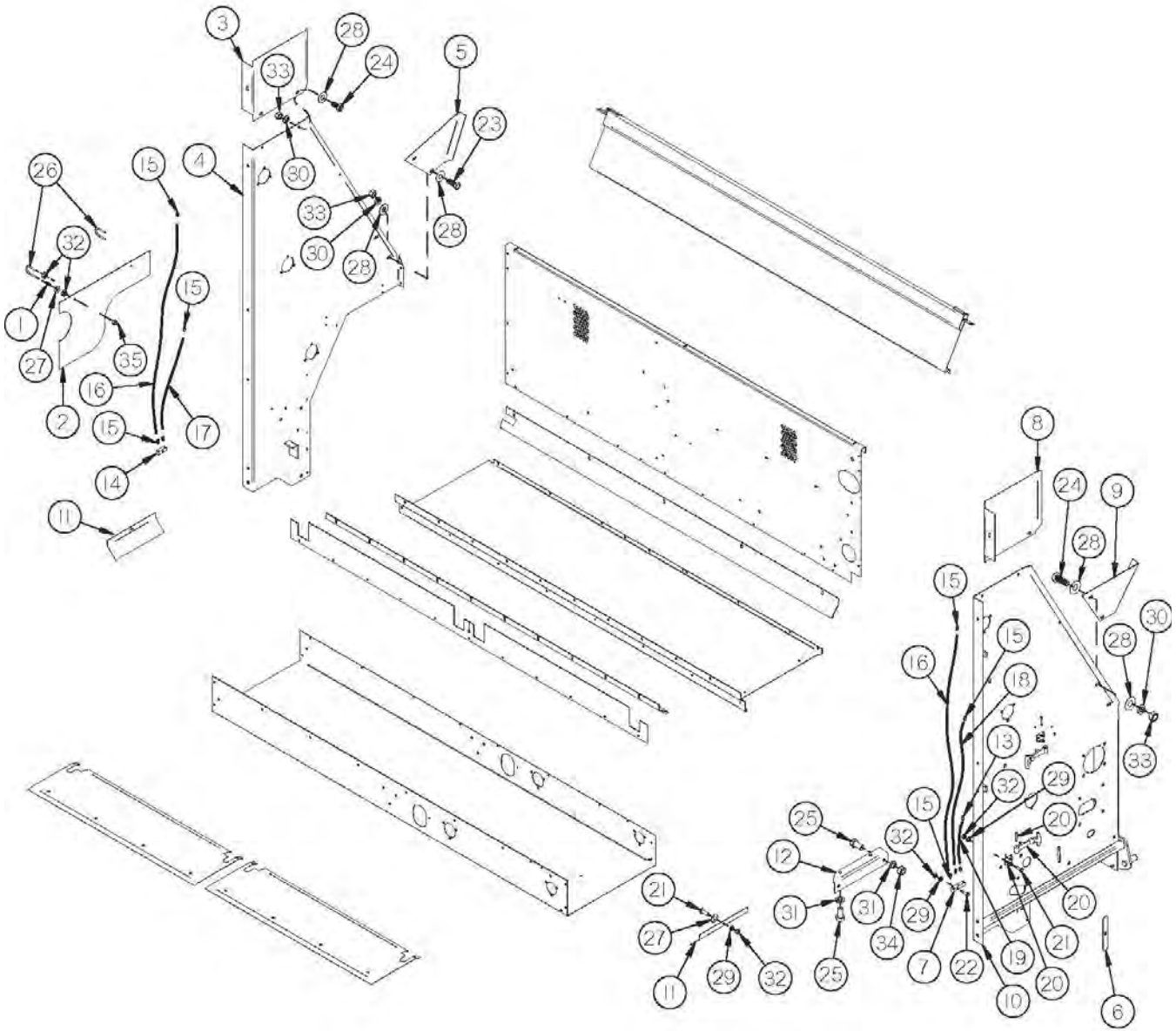


FIGURE 1

HOUSING COMPONENTS SIDES

<u>ITEM</u>	<u>QTY</u>	<u>PART #</u>	<u>DESCRIPTION</u>
1	1	S1	SPRING
2	1	S2	POLY SHIELD
3	1	S3	LEFT SIDE PANEL TOP
4	1	S4	LEFT SIDE PANEL
5	1	S5	LEFT EMERGENCY STOP PANEL
6	1	SD86	SLOT COVER
7	1	SD83	GREASE BLOCK (3-PORT)
*	1	SD146	GREASE BLOCK (4-PORT) 4TH BEATER ONLY
8	1	S9	RIGHT SIDE PANEL TOP
9	1	S11	RIGHT EMERGENCY STOP PANEL
10	1	SD4	RIGHT SIDE PANEL
11	2	S20	APRON SIDE SPACER
12	1	SD99	GEARBOX ANGLE
13	5	SD82	GREASE LINE FITTING 90°
14	1	SD79	GREASE BLOCK
*	1	SD83	GREASE BLOCK (3-PORT) 4TH BEATER ONLY
15	5	S47	GREASE LINE FITTING
16	2	SD80	GREASE LINE (54-1/2")
17	1	SD81	GREASE LINE (40-1/4")
18	1	SD98	GREASE LINE (29")
19	1	SD109	GREASE LINE (14")
20	2	X233	COMPLETE LATCH
21	3	YBHH08100	BOLT, 1/4" X 3/4" GR. 5
22	1	YBHH08010	BOLT, 1/4" X 1" GR. 5
23	4	YBHH12135	BOLT, 3/8" X 3/4" GR. 5
24	4	YBHH12010	BOLT, 3/8" X 1" GR. 5
25	4	YBHH16010	BOLT, 1/2" X 1" GR. 5
26	2	YBPU08005	PIPE U BOLT, 1/4"-20 X 3/4" PIPE, 1-1/4" ID, 2-1/4" IL, 1-1/4" THREAD
27	3	YWFL08005	WASHER, FLAT, 1/4" USS
28	12	YWFL12005	WASHER, FLAT, 3/8" USS
29	4	YWLO08005	WASHER, LOCK, 1/4"
30	8	YWLO12005	WASHER, LOCK, 3/8"
31	4	YWLO16005	WASHER, LOCK, 1/2"
32	8	YNHX08005	HEX NUT, 1/4"-20
33	8	YNHX12005	HEX NUT, 3/8"-16
34	2	YNHX16005	HEX NUT, 1/2"
35	4	YNNY08005	HEX NUT, NYLON LOCKNUT, 1/4"-20

NOTE: * MEANS NOT SHOWN

FIGURE 2

HOUSING COMPONENTS FRONT & BOTTOM

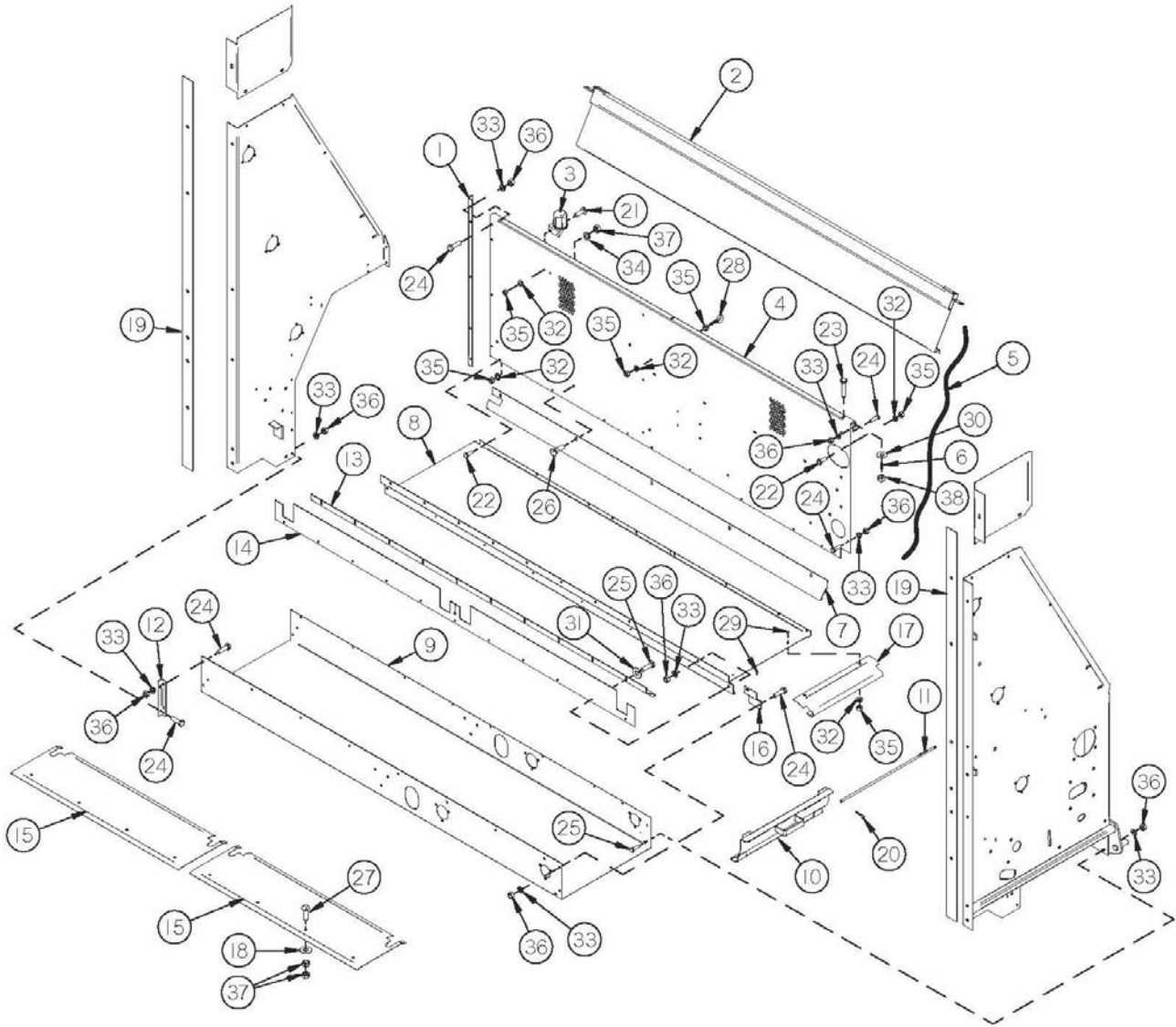


FIGURE 2

HOUSING COMPONENTS FRONT & BOTTOM

<u>ITEM</u>	<u>QTY</u>	<u>PART #</u>	<u>DESCRIPTION</u>
1	1	S22	LEFT FRONT ANGLE
2	1	S370	EMERGENCY STOP PANEL
3	1	CHM38	PLUG STORAGE
4	1	SD2	FRONT MAIN PANEL
5	1	S8	EMERGENCY STOP CABLE
*	2	ES14	THIMBLE
*	2	ES15	CABLE CLAMP
6	3	S7	SPRING FOR EMERGENCY STOP
7	1	SD5	CROSS CONVEYOR FRONT HOLD-DOWN
8	1	SD6	CROSS APRON PAN
9	1	SD7	RETURN PAN
10	1	SD8	RETURN PAN END
11	1	SD10	RETURN PAN END ROD
12	1	S19	LEFT RETURN PAN ANGLE
13	1	SD11	CROSS CONVEYOR BACK HOLD-DOWN
14	1	S306	RUBBER SEAL
15	2	PB74	DRIVE SHAFT PANEL
16	1	SD12	TUB END
17	1	SD13	TUB EXTENSION
18	8	YWCU12005	WASHER, CUSTOM, FLAT, .435" ID. X 1-7/8" OD. X .125 THICK
19	2	SD100	UNIT SPACER
20	1	YPHR02010	HAIR PIN, #21-07
21	2	YBHH08015	BOLT, 1/4" X 1/2" GR. 5
22	10	YBHH08100	BOLT, 1/4" X 3/4" GR. 5
23	3	YBHH08025	BOLT, 1/4" X 1-1/2" GR. 5
24	20	YBHH10105	BOLT, 5/16" X 3/4" GR. 5
25	13	YBHH10010	BOLT, 5/16" X 1" GR. 5
26	5	YBCR12065	CARR. BOLT, 3/8" X 3/4" GR. 5
27	8	YBCR12015	CARR. BOLT, 3/8" X 1-1/2" GR. 5
28	2	YBTE08005	TURNUED EYE BOLT, 1/4" X 1" FULL THREAD
29	2	YSTM08004	SLOTTED TRUSS HEAD ZINC MACHINE SCREW, 1/4"-20 x 3/4"
30	3	YWFL08005	WASHER, FLAT, 1/4" USS
31	11	YWFL10005	WASHER, FLAT, 5/16" USS
32	16	YWLO08005	WASHER, LOCK, 1/4"
33	33	YWLO10005	WASHER, LOCK, 5/16"
34	5	YWLO12005	WASHER, LOCK, 3/8"
35	18	YNHX08005	HEX NUT, 1/4"-20
36	33	YNHX10005	HEX NUT, 5/16"
37	21	YNHX12005	HEX NUT, 3/8"-16
38	3	YNTL08005	HEX NUT, TOP LOCK, 1/4"-20

NOTE: * MEANS NOT SHOWN

FIGURE 3

BEATERS

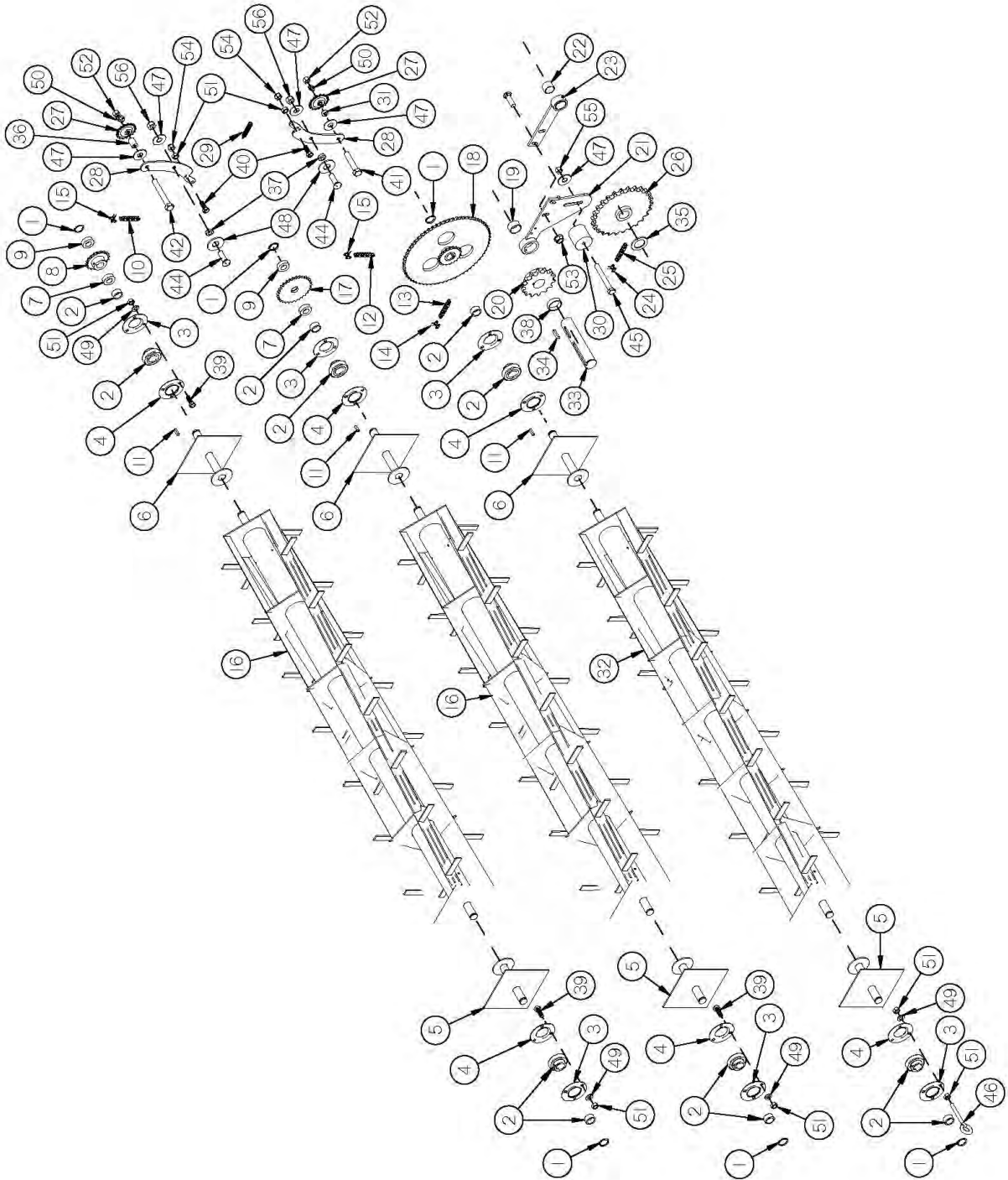


FIGURE 3

BEATERS

<u>ITEM</u>	<u>QTY</u>	<u>PART #</u>	<u>DESCRIPTION</u>
1	6	F73	SNAP RING
2	12	12N122	BEARING AND LOCK COLLAR
3	6	F114	BEARING FLANGE W/ZERK
4	6	F14	BEARING FLANGE
5	3	S23	LEFT BEATER STUB SHAFT
6	3	S24	RIGHT BEATER STUB SHAFT
7	2	S218	3/8" SPACER
8	1	S26	3RD BEATER SPROCKET 20 TOOTH
9	1	S219	1/4" SPACER
10	1	X58	2ND TO 3RD BEATER CHAIN (89 PITCHES X #50)
11	3	G23B	5/16" X 1-3/8" SQUARE KEY
12	1	S31	1ST TO 2ND BEATER CHAIN (98 PITCHES X #50)
13	1	SD14	BEATER DRIVE CHAIN (85 PITCHES X #60)
14	1	X61	# 50 CONNECTOR LINK
15	2	D39	# 60 CONNECTOR LINK
16	2	S25	BEATER
17	1	S30	2ND BEATER SPROCKET (30 TO 13 TOOTH)
18	1	SD15	1ST BEATER SPROCKET (20 TO 65 TOOTH)
19	1	SD16	BUSHING (2-1/4" OD X 2" ID X 1.125")
20	1	SD17	WORM SHAFT SPROCKET (100-B-14)
21	1	SD18	WORM SHAFT BRACE
22	1	S44	BUSHING (2" OD X 1-3/4" ID X 1.125")
23	1	SD19	DRIVE SHAFT BRACE
24	1	33SV77	# 100 CONNECTOR LINK
25	1	SD20	DRIVE CHAIN (#100 X 47 PITCH)
26	1	SD23	CLUTCH ASSEMBLY SPROCKET
27	2	K101	SPROCKET 17 TOOTH
28	1	SD77	TIGHTENER BAR

FIGURE 3

BEATERS

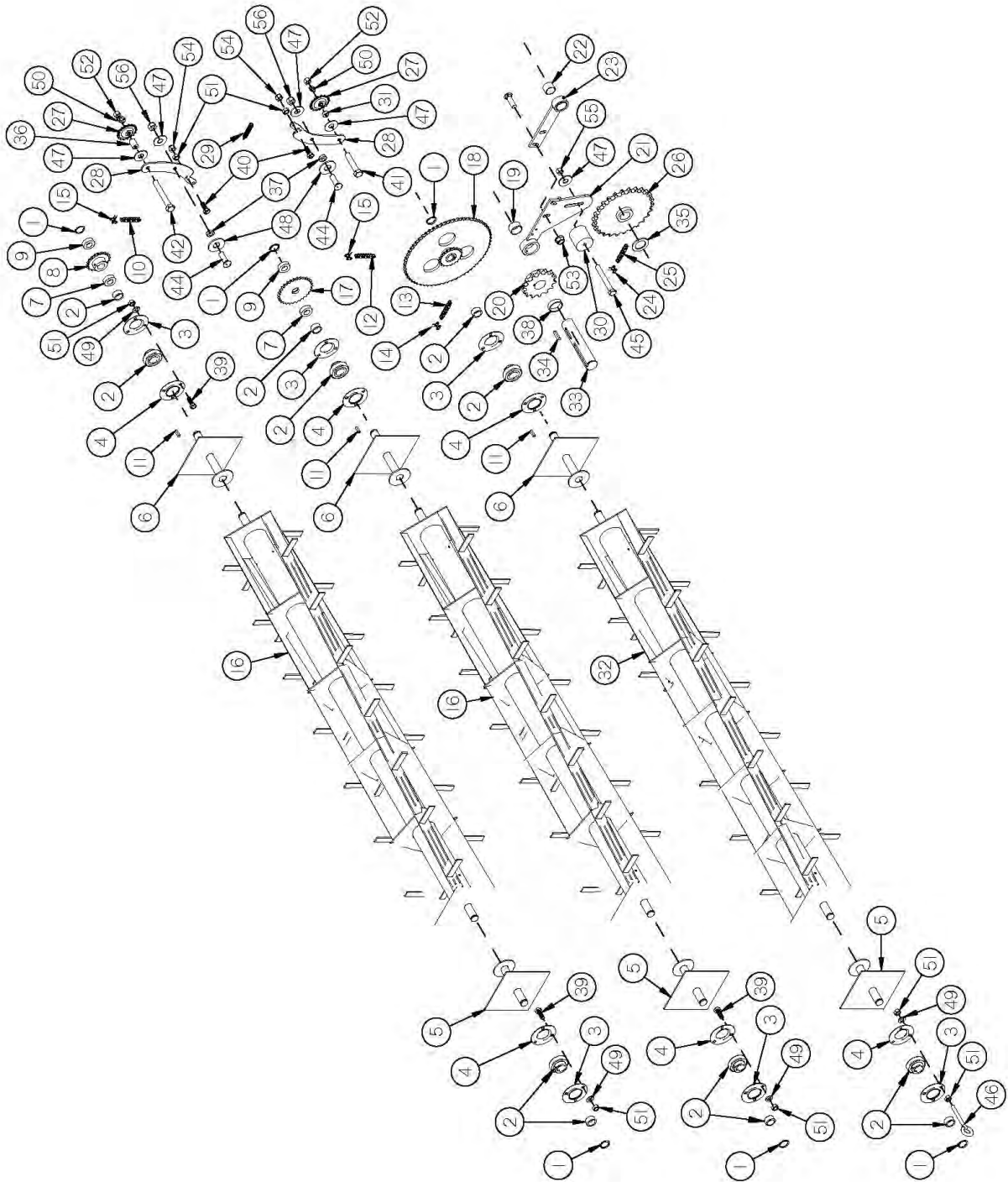


FIGURE 3

BEATERS

<u>ITEM</u>	<u>QTY</u>	<u>PART#</u>	<u>DESCRIPTION</u>
29	1	R27	SPRING
30	1	SD84	POLY TIGHTENER
31	1	SD88	TENSIONER SPACER
32	1	SD107	1ST BEATER (5 CROSSES)
33	1	SD89	OUTPUT SHAFT (A110)
34	1	G139	3/8" X 1-1/2" SQUARE KEY HARDENED
35	1	S36	DRIVE SHAFT SPACER
36	1	SD212	TENSIONER SPACER
37	2	SD177	SPACER
38	1	SDPI07	OUTPUT SHAFT SPACER
39	17	YBHH12010	BOLT, 3/8" X 1" GR. 5
40	2	YBHH12035	BOLT, 3/8" X 1-1/4" GR. 5
41	1	YBHH16080	BOLT, 1/2" X 2-1/2" GR. 5
42	1	YBHH16115	BOLT, 1/2" X 3-1/2" GR. 5
43	2	YBCR16015	CARR. BOLT, 1/2" X 1-1/4" GR. 5
44	2	YBCR16010	CARR. BOLT, 1/2" X 1-1/2" GR. 5
45	1	YBCR16045	CARR. BOLT, 1/2" X 4" GR. 5
46	1	YBTE12015	TURNUED EYE BOLT, 3/8" X 2-1/2"
47	5	YWFL16005	WASHER, FLAT, 1/2" USS
48	2	YWFL24005	WASHER, FLAT, 3/4" USS
49	18	YWLO12005	WASHER, LOCK, 3/8"
50	2	YWLO16005	WASHER, LOCK, 1/2"
51	21	YNHX12005	HEX NUT, 3/8"-16
52	2	YNHX16005	HEX NUT, 1/2"
53	2	YNFG16005	HEX NUT, FLANGED-LOCK, 1/2"-13
54	2	YNNY12005	HEX NUT, NYLON LOCKNUT, 3/8"
55	1	YNRL16005	HEX NUT, REVERSIBLE-SIDE LOCK, 1/2"-13
56	2	YNTL16005	HEX NUT, TOP LOCK, 1/2"-13

FIGURE 4

APRON DRIVE

<u>ITEM</u>	<u>QTY</u>	<u>PART #</u>	<u>DESCRIPTION</u>
1	1	S38	KEY, 3/8" X 2-3/8" SQUARE
2	4	SD213	APRON DRIVE SHAFT SPROCKET
3	1	SD22	DRIVE SHAFT
4	4	56N174	3/8" X 2" SQUARE KEY W/ROUND ENDS (HARDENED)
5	1	S51	LEFT DRIVE SHAFT BRACKET
6	6	S50	DRIVE SHAFT BUSHING (2" OD X 1-3/4" ID X 1.125")
7	1	S53	CENTER BEARING BRACKET
8	1	S49	GREASE LINE (LONG)
9	2	S67	GREASE LINE CLIP
10	1	S52	RIGHT DRIVE SHAFT BRACKET
11	1	S46	GREASE LINE BRACKET
12	4	S47	GREASE LINE FITTING
13	1	S233	667XH PINTLE SLAT/ATTACHMENT LINKS
*	1	S54	T-ROD SLAT W/ATTACHMENT LINKS
14	1	11S50	667XH PINTLE ATTACHMENT LINK (R OR L)
*	1	S55	T-ROD ATTACHMENT LINK (R OR L)
<u>COMPLETE APRON FOR FRONT UNLOAD</u>			
*	1	S57	T-ROD APRON 14'
*	1	S230	667H PINTLE APRON 14'
*	1	S58	T-ROD APRON 16'
*	1	S231	667H PINTLE APRON 16'
*	1	S59	T-ROD APRON 18'
*	1	S32	667H PINTLE APRON 18'
*	1	S422	T-ROD APRON 20'
*	1	S432	667H PINTLE APRON 20'

NOTE: * MEANS NOT SHOWN

FIGURE 4

APRON DRIVE

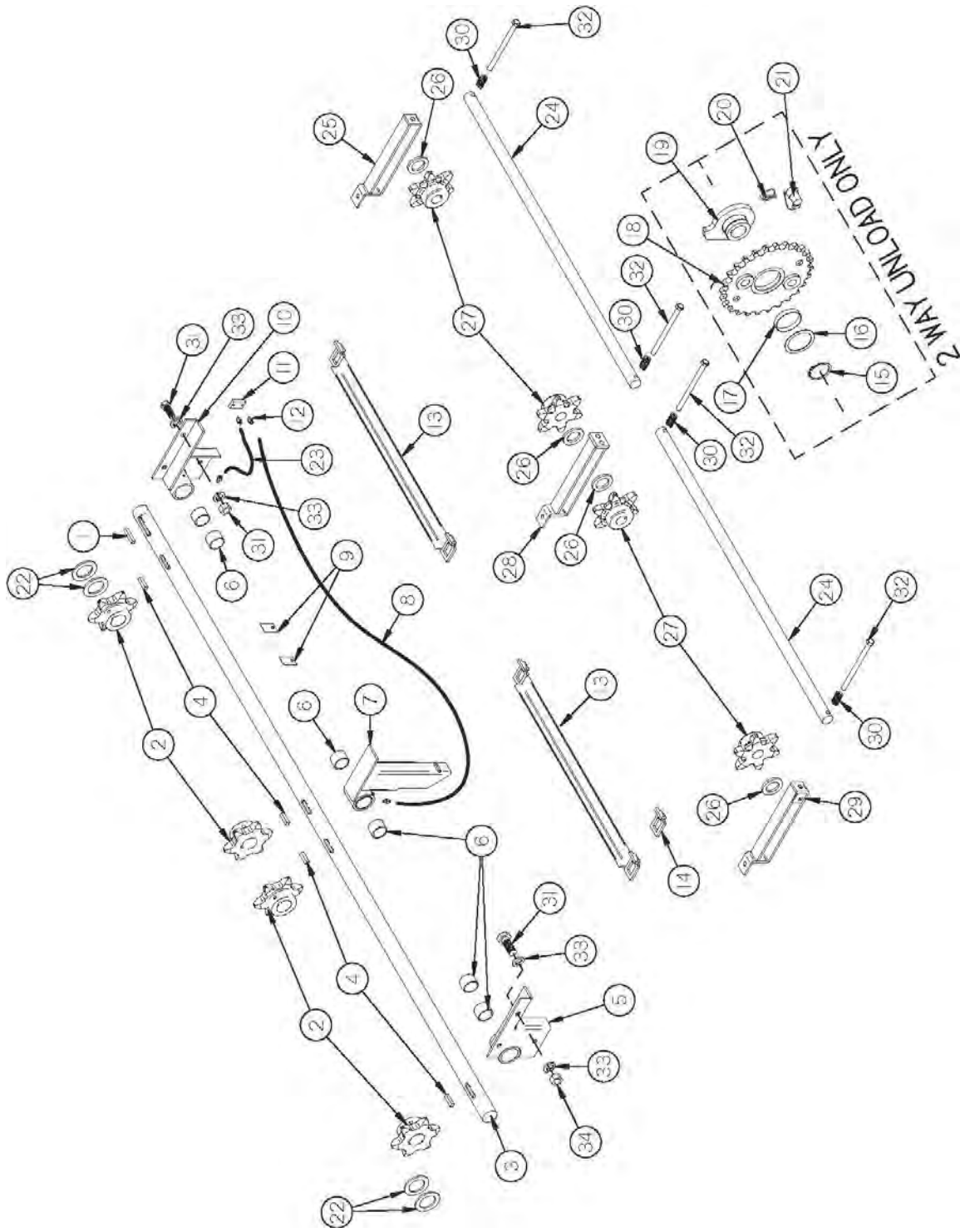


FIGURE 4

APRON DRIVE

<u>ITEM</u>	<u>QTY</u>	<u>PART#</u>	<u>DESCRIPTION</u>
15	1	SD202	SNAP RING (5100-300)
16	1	SD203	CLUTCH SPROCKET WASHER
17	1	SD204	BRONZE BUSHING (3-1/4"OD X 3"ID X 1/2")
18	1	SD23	DRIVE SHAFT SPROCKET (100-A-26)
19	1	SD205	FRONT CLUTCH DOG
20	1	PB190	LYNCH PIN
21	1	PB191	CLUTCH DOG
22	4	S36	DRIVE SHAFT SPACER
23	1	S48	GREASE LINE
24	1	S63	IDLER SHAFT
25	1	S65	RIGHT HAND REAR IDLER BRACKET
26	4	S61	IDLER SPACER
27	4	S60	IDLER SPROCKET
28	1	S64	CENTER IDLER BRACKET
29	1	S62	LEFT HAND REAR IDLER BRACKET
30	4	WM210	SPRING - RED
31	6	YBHH16045	BOLT, 1/2" X 1-1/4" GR. 5
32	4	YBHH16190	BOLT, 1/2" X 9-1/2" GR. 5
33	12	YWLO16005	WASHER, LOCK, 1/2"
34	6	YNHX16005	HEX NUT, 1/2"

COMPLETE APRON FOR FRONT & REAR UNLOAD

*	1	S324	667H PINTLE APRON 16'
*	1	S325	667H PINTLE APRON 18'
*	1	S326	667H PINTLE APRON 20'

NOTE: * MEANS NOT SHOWN

FIGURE 5
CROSS APRON DRIVE

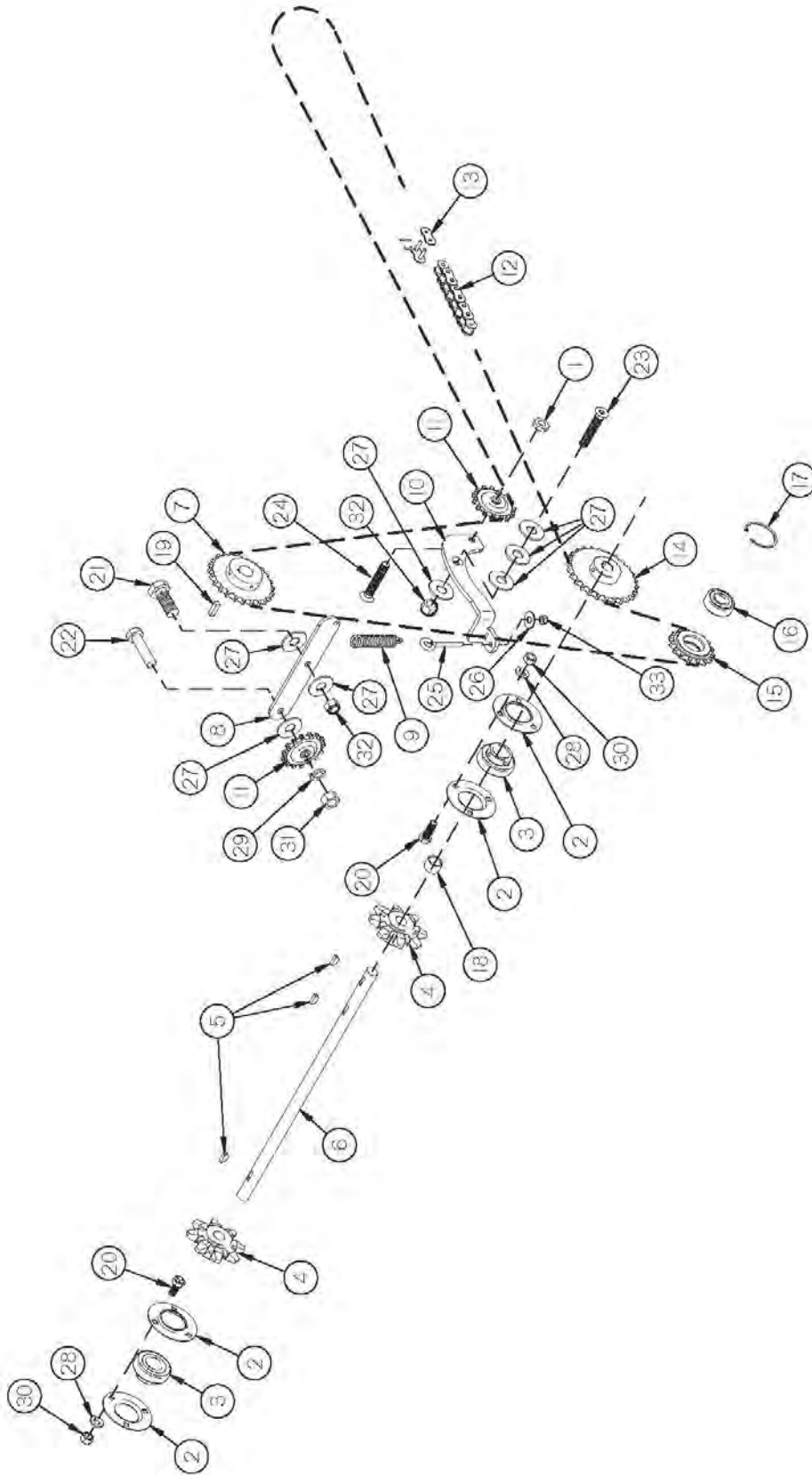


FIGURE 5

CROSS APRON DRIVE

<u>ITEM</u>	<u>QTY</u>	<u>PART #</u>	<u>DESCRIPTION</u>
1	1	YNTJ16005	HEX NUT, TOP LOCK, JAM, 1/2"-13
2	4	4C7	BEARING FLANGE
3	2	4C8	BEARING
4	2	L10R24	8 TOOTH SPROCKET
5	3	5B10	1/4" X 1" WOODRUFF KEY
6	1	SD24	CROSS APRON DRIVE SHAFT
7	1	SD25	SPROCKET (60-B-24)
8	1	SD87	PRIMARY TIGHTENER BAR
9	1	ST36	SPRING
10	1	SD91	CHAIN TIGHTENER PRIMARY
11	2	12N42	15 TOOTH IDLER SPROCKET
12	1	SD26	# 60 CHAIN X 161 PITCH
13	1	D39	# 60 CONNECTOR LINK
14	1	SD27	CROSS APRON DRIVE SPROCKET (60-B-26)
15	1	SD28	IDLER SPROCKET (60-C-16)
16	1	SD263	BEARING
17	1	K92	SNAP RING
18	1	SD210	APRON SPROCKET SPACER
19	1	WM121	KEY 5/16" X 1" (SQUARE)
20	6	YBHH12135	BOLT, 3/8" X 3/4" GR. 5
21	1	YBHH16045	BOLT, 1/2" X 1-1/4" GR. 5
22	1	YBHH16065	BOLT, 1/2" X 2" GR. 5
23	1	YSFS16025	FLAT HEAD SOCKET CAP SCREW, 1/2" X 2"
24	1	YSFS16035	FLAT HEAD SOCKET CAP SCREW, 1/2" X 2-1/4"
25	1	YBTE10015	TURNUED EYE BOLT, 5/16" X 2-1/2"
26	1	YWFL10005	WASHER, FLAT, 5/16" USS
27	7	S247	EXTENSION WASHER
28	6	YWLO12005	WASHER, LOCK, 3/8"
29	1	YWLO16005	WASHER, LOCK, 1/2"
30	6	YNHX12005	HEX NUT, 3/8"-16
31	1	YNHX16005	HEX NUT, 1/2"
32	6	YNNY16005	HEX NUT, NYLON LOCKNUT, 1/2"
33	1	YNTL10005	HEX NUT, TOP LOCK, 5/16"-18

FIGURE 6
EXTENSION 12"

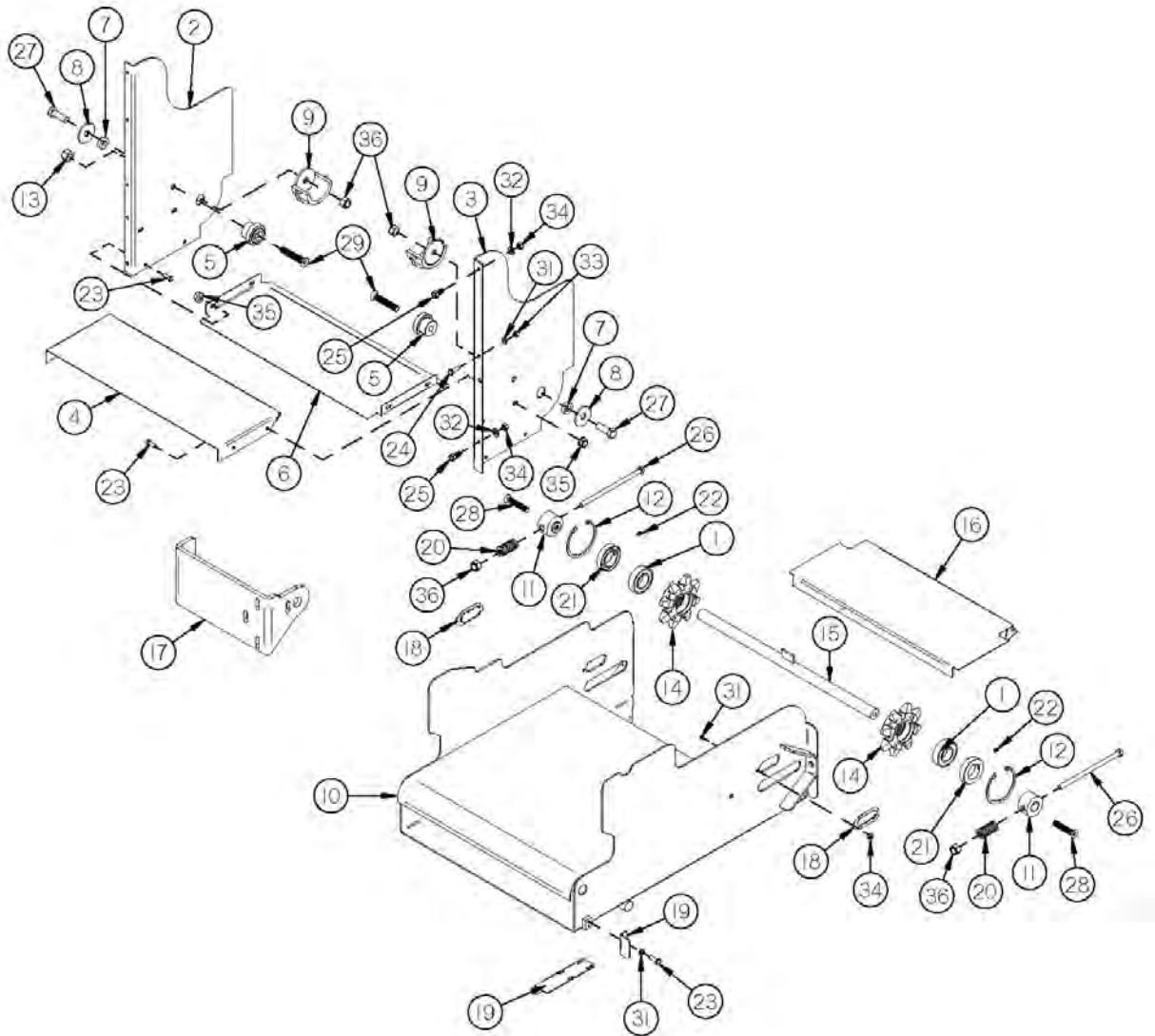


FIGURE 6

EXTENSION

<u>ITEM</u>	<u>QTY</u>	<u>PART #</u>	<u>DESCRIPTION</u>
1	2	SD263	BEARING
2	1	SD172	EXTENSION BACK PANEL
3	1	SD173	EXTENSION FRONT PANEL
4	1	SD174	PAN EXTENSION
5	2	SD175	CHAIN ROLLER HOLD-DOWN
6	1	SD176	RETURN PAN EXTENSION
7	2	SD177	SHELL SPACER
8	2	S247	EXTENSION WASHER
9	2	S245	CHAIN SLIDE
10	1	SD261	EXTENSION SHELL LONG
11	2	SD313	TIGHTENER
12	2	SD262	SNAP RING (Arcon IN206)
13	2	YNTL16005	HEX NUT, TOP LOCK, 1/2"-13
14	2	SD180	8 TOOTH SPROCKET
15	1	SD314	APRON IDLER SHAFT
16	1	SD182	CHAIN SLIDE
17	1	SD248	CYLINDER MOUNT TOP
18	2	SD186	COVER
19	1	SD249	LIMIT SWITCH PAD
20	2	WM210	SPRING (RED)
21	1	S312	BEARING SHIELD
*	1	SD306	CROSS CONVEYOR (31 LINKS)
*	1	SD311	CROSS CONVEYOR (S89 W/ SD306)
*	1	K121	CONNECTOR LINK
*	2	SD89	CROSS CONVEYOR (123 LINKS)
22	2	YSKP08010	SET SCREW, SOCKET, KNURLED CUP PT, 1/4"-20 X 1/2"
23	8	YBHH08015	BOLT, 1/4" X 1/2" GR. 5
24	5	YBHH08100	BOLT, 1/4" X 3/4" GR. 5
25	4	YBHH10105	BOLT, 5/16" X 3/4" GR. 5
26	2	YBHH16180	BOLT, 1/2" X 7" GR. 5
27	2	YBHH16030	BOLT, 1/2" X 1-1/2" GR. 5
28	2	YSFS16015	FLAT HEAD SOCKET CAP SCREW, 1/2" X 1-1/4"
29	2	YSFS16030	FLAT HEAD SOCKET CAP SCREW, 1/2" X 2-1/2"
30	2	YSTM08004	SLOTTED TRUSS HEAD ZINC MACHINE SCREW, 1/4"-20 x 3/4"
31	5	YWLO08005	WASHER, LOCK, 1/4"
32	4	YWLO10005	WASHER, LOCK, 5/16"
33	7	YNHX08005	HEX NUT, 1/4"-20
34	4	YNHX10005	HEX NUT, 5/16"
35	8	YNFG08005	HEX NUT, FLANGED-LOCK, 1/4"
36	6	YNNY16005	HEX NUT, NYLON LOCKNUT, 1/2"

NOTE: * MEANS NOT SHOWN

FIGURE 7
HYDRAULIC DRIVE

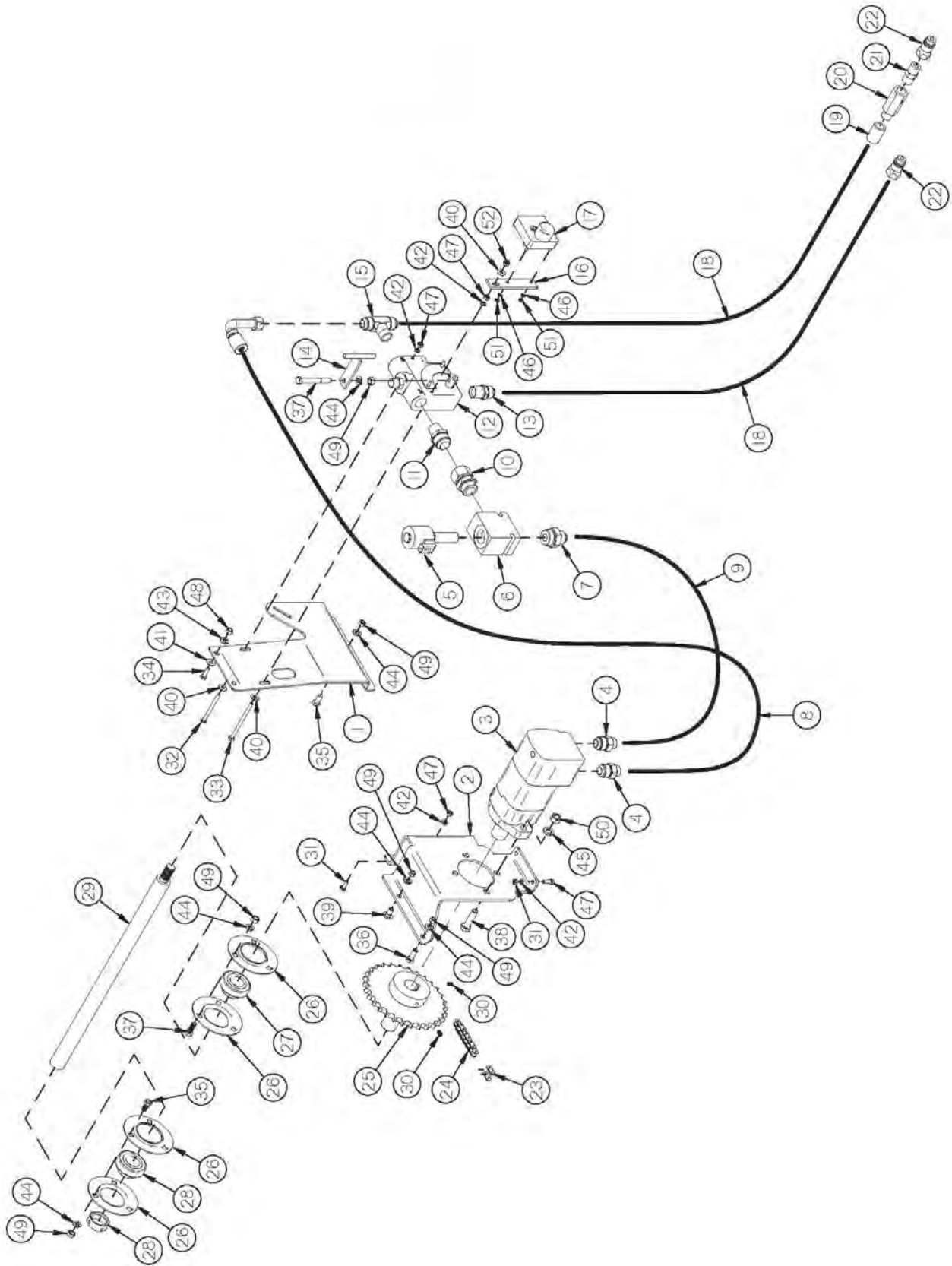


FIGURE 7

HYDRAULIC DRIVE

<u>ITEM</u>	<u>QTY</u>	<u>PART #</u>	<u>DESCRIPTION</u>
1	1	018110G03	FLOW CONTROL SAFETY MOUNT
2	1	SD195	MOTOR MOUNT
3	1	16SV150	HYDRAULIC MOTOR
*	1	SD289	5/16" X 1-1/4" SQUARE KEY (HARDENED)
4	2	GM57	10-F50X-S FITTING
5	1	8586	ACCUMULATOR SHUT OFF COIL
6	1	8724	ACCUMULATOR SHUT OFF BLOCK
7	1	8722	12-16 F50X-S ADAPTER
8	1	SDHMS05	MOTOR RETURN HOSE
9	1	SDHMS04	CONTROLLED FLOW HYDRAULIC HOSE
10	1	TFM81	STR THREAD CONNECTOR SWIVEL
11	1	TFM80	NPTF/37 DEGREE FLARE
12	1	33SV74	FLOW CONTROL
13	1	8725	12 FTX-S MALE CONNECTOR
14	1	16SV242	SPEED VALVE POINTER
15	1	8723	12 STX-S MALE BRANCH TEE
16	1	16SV245	SPEED CONTROL MOTOR MOUNT
17	1	16SV246	GEAR MOTOR
18	2	SDHMS02	HYDRAULIC HOSE
19	1	LW346	1/2" COUPLING
20	1	DF18	CHECK VALVE
21	1	WM141	CLOSE NIPPLE
22	2	DWM205	QUICK COUPLER MALE
23	1	SD215	#60 CONNECTOR LINK
24	1	SD214	#60x 166 PITCH CHAIN
25	1	SD196	MOTOR SPROCKET
26	4	F14	BEARING FLANGE
27	1	SD316	BEARING (FHS206-20G)
28	1	12N122	BEARING (GREASEABLE TYPE) WITH LOCK COLLAR

NOTE: * MEANS NOT SHOWN

FIGURE 7

HYDRAULIC DRIVE

<u>ITEM</u>	<u>QTY</u>	<u>PART#</u>	<u>DESCRIPTION</u>
29	1	SD201	MOTOR SPROCKET SHAFT
30	1	YSKP10005	SET SCREW, SOCKET, KNURLED CUP PT, 5/16" X 1/2"
31	1	YBHH08100	BOLT, 1/4" X 3/4" GR. 5
32	1	YBHH08055	BOLT, 1/4" X 2-1/2" GR. 5
33	1	YBHH08116	BOLT, 1/4" X 4" GR. 8 FULL THREAD
34	2	YBHH10105	BOLT, 5/16" X 3/4" GR. 5
35	4	YBHH12135	BOLT, 3/8" X 3/4" GR. 5
36	4	YBHH12010	BOLT, 3/8" X 1" GR. 5
37	1	YBHH12120	BOLT, 3/8" X 3" GR. 5
38	2	YBHH16055	BOLT, 1/2" X 1-3/4" GR. 5
39	1	YBCR12010	CARR. BOLT, 3/8" X 1" GR. 5
40	3	YWFL08005	WASHER, FLAT, 1/4" USS
41	2	YWFL10005	WASHER, FLAT, 5/16" USS
42	3	YWLO08005	WASHER, LOCK, 1/4"
43	2	YWLO10005	WASHER, LOCK, 5/16"
44	10	YWLO12005	WASHER, LOCK, 3/8"
45	2	YWLO16005	WASHER, LOCK, 1/2"
46	2	YWSI62005	#8 ZINC EXT LOCK WASHER
47	3	YNHX08005	HEX NUT, 1/4"-20
48	2	YNHX10005	HEX NUT, 5/16"
49	10	YNHX12005	HEX NUT, 3/8"-16
50	2	YNHX16005	HEX NUT, 1/2"
51	2	YNHX62005	#8-32 ZINC PLATED NUT
52	1	YNNY08005	HEX NUT, NYLON LOCKNUT, 1/4"-20

FIGURE 8

BEATER CLUTCH

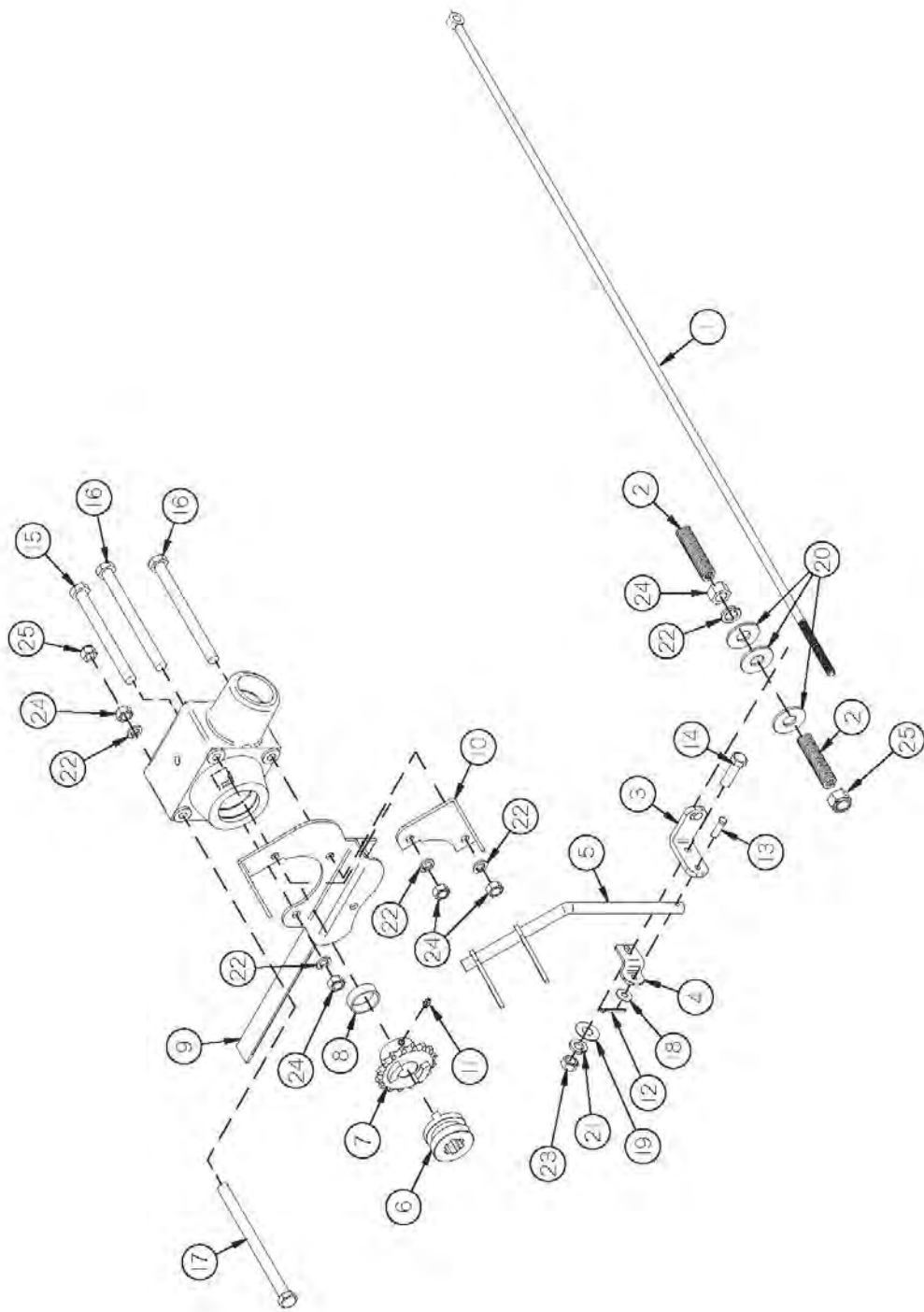


FIGURE 8

BEATER CLUTCH

<u>ITEM</u>	<u>QTY</u>	<u>PART#</u>	<u>DESCRIPTION</u>
1	1	SD38	SHIFTING ROD (BEATER)
2	2	S111	SPRING
3	1	SD94	SHIFTER FORK END
4	1	SD152	SHIFTER FORK END OFFSET
5	1	SD41	SHIFTER FORK
6	1	SD45	CLUTCH (SLIDING)
7	1	SDAS26	BEATER CLUTCH SPROCKET
8	1	SD43	BUSHING (1-5/8" OD X 1-3/8" ID X 1-5/8")
9	1	SD42	CLUTCH PIVOT
10	1	SD40	SHIFTER BRACKET
11	1	MS26	1/4" - 28 STRAIGHT STANDARD SHORT
12	1	YPCT04005	COTTER PIN, 1/8" X 1"
13	1	YPCV10005	CLEVIS PIN, 5/16" X 1-3/4"
14	1	YBHH12035	BOLT, 3/8" X 1-1/4" GR. 5
15	1	YBHH16160	BOLT, 1/2" X 5-1/2" GR. 5
16	2	YBHH16165	BOLT, 1/2" X 6" GR. 5
17	1	YBHH16180	BOLT, 1/2" X 7" GR. 5
18	1	YWFL10005	WASHER, FLAT, 5/16" USS
19	1	YWFL12005	WASHER, FLAT, 3/8" USS
20	3	YWFL16005	WASHER, FLAT, 1/2" USS
21	1	YWLO12005	WASHER, LOCK, 3/8"
22	5	YWLO16005	WASHER, LOCK, 1/2"
23	1	YNHX12005	HEX NUT, 3/8"-16
24	5	YNHX16005	HEX NUT, 1/2"
25	2	YNNY16005	HEX NUT, NYLON LOCKNUT, 1/2"

FIGURE 9

VARIABLE SPEED DRIVE

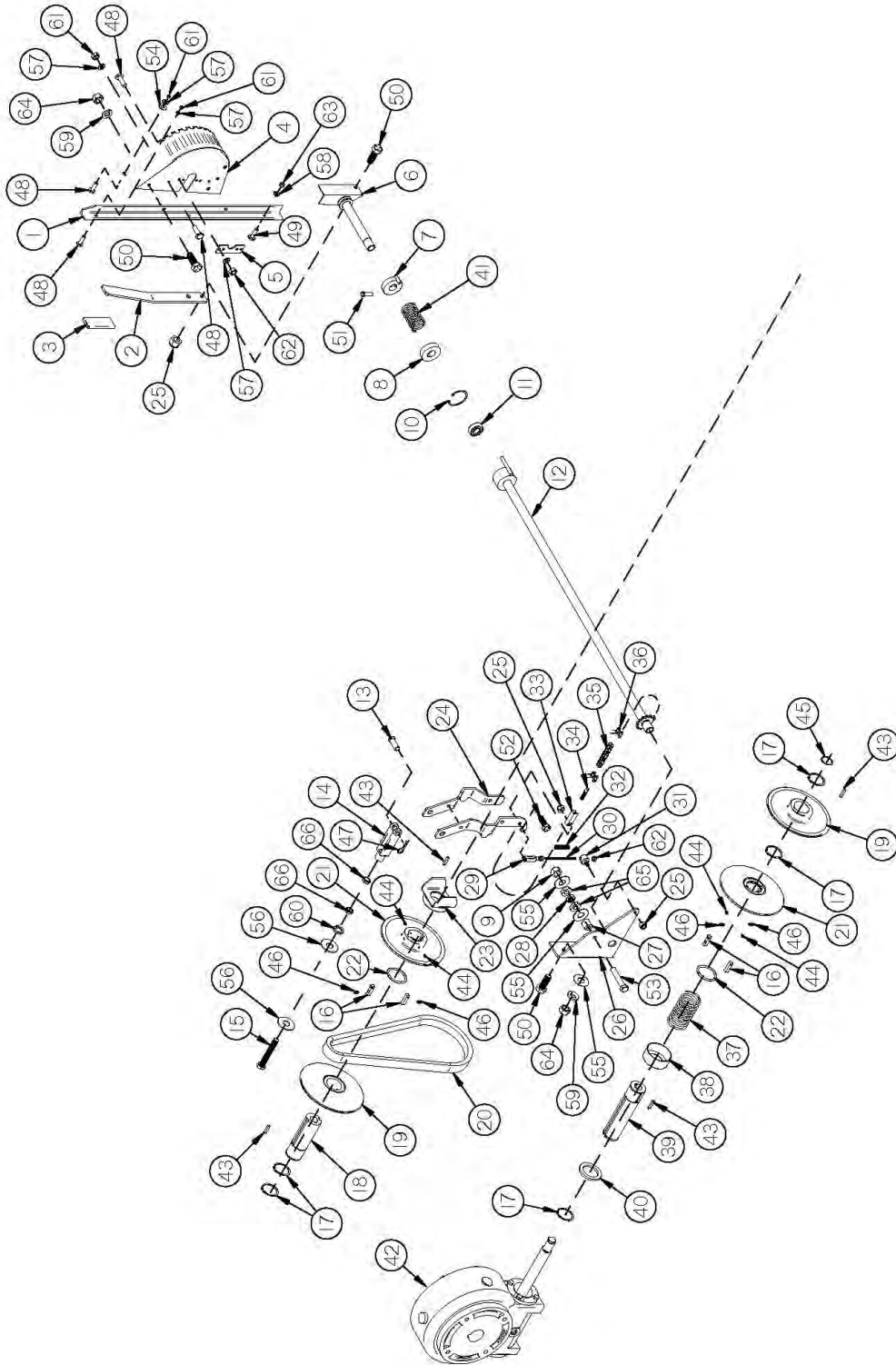


FIGURE 9

VARIABLE SPEED DRIVE

<u>ITEM</u>	<u>QTY</u>	<u>PART #</u>	<u>DESCRIPTION</u>
1	1	SD151	FRONT PANEL BRACE
2	1	S364	SHIFTER HANDLE
3	1	S403	HANDLE LEVER GRIP (13104-019)
4	1	S360	SPEED SELECTOR PANEL
5	1	72297	PLATE 3.75x1.25x.0598 SHIFTING PIPE BRACKET THIN
6	1	S290	SHIFTER HANDLE PIPE END
7	1	S291	SPRING PIN COLLAR
8	1	S293	SPRING COLLAR
9	1	YNTL12005	HEX NUT, TOP LOCK. 3/8" - 16
10	1	K92	SNAP RING
11	1	SD263	BEARING
12	1	SD39	SHIFTING PIPE (APRON)
13	1	F82	CLEVIS PIN
14	1	F81	CLEVIS
15	1	SD108	5/8" CLEVIS MOUNT
16	4	SD56	PULLEY KEY (BRASS)
17	5	SD153	SNAP RING 2" (N5100-200)
18	1	SD46	ROUND HUB
19	2	SD58	VARIABLE SPEED PULLEY
20	1	S108	VARIABLE SPEED BELT
21	2	SD47	VARIABLE SPEED PULLEY A
22	2	SD93	O-RING 2" ID
23	1	SD92	SHIFTER HOLDER
24	1	SD154	SHIFTER YOKE RIGHT
25	3	YNNY12005	HEX NUT, NYLON LOCKNUT, 3/8"
26	1	SD52	SHIFTING BRACKET
27	1	SD51	BEARING SPACER
28	1	SD50	BEARING (600-2RS)
29	1	SD155	CLEVIS 1/4-28
30	1	SD156	READY ROD
31	1	SD157	SPRING PIVOT
32	1	SD159	SPRING (BLUE D1110)
33	1	S104	SHIFTING LINKAGE
34	1	SD160	SHIFTING LINKAGE

FIGURE 9

VARIABLE SPEED DRIVE



FIGURE 9

VARIABLE SPEED DRIVE

<u>ITEM</u>	<u>QTY</u>	<u>PART #</u>	<u>DESCRIPTION</u>
35	1	SD53	#40 CHAIN X 14 PITCH
36	1	S102	#40 CONNECTOR LINK
37	1	SD60	Spring (JN147394)
38	1	SD95	SPRING COVER
39	1	SD54	ROUND HUB WORM INPUT
40	1	SD110	SPRING STOP
41	1	S292	SPRING
42	1	SD140	COMPLETE GEARBOX
43	4	S135	1/4" X 1-1/4" KEY
44	4	G89	1/4" GREASE ZERK
45	1	3G21	SNAP RING
46	4	YSFD12005	SET SCREW, SOCKET, FULL DOG PT, 3/8"-16 X 3/4"
47	1	YPHR02005	HAIR PIN, #21-05 (1-7/8" LONG, 3/8-7/16" SHAFT)
48	8	YBHH08100	BOLT, 1/4" X 3/4" GR. 5
49	1	YBHH10105	BOLT, 5/16" X 3/4" GR. 5
50	8	YBHH12010	BOLT, 3/8" X 1" GR. 5
51	1	YBHH12035	BOLT, 3/8" X 1-1/4" GR. 5
52	1	YBHH12025	BOLT, 3/8" X 1-1/2" GR. 5
53	1	YBHH12075	BOLT, 3/8" X 2" GR. 5
54	1	YWFL08005	WASHER, FLAT, 1/4" USS
55	4	YWFL12005	WASHER, FLAT, 3/8" USS
56	2	YWFL20005	WASHER, FLAT, 5/8" USS
57	8	YWLO08005	WASHER, LOCK, 1/4"
58	1	YWLO10005	WASHER, LOCK, 5/16"
59	6	YWLO12005	WASHER, LOCK, 3/8"
60	1	YWLO20005	WASHER, LOCK, 5/8"
61	8	YNHX08005	HEX NUT, 1/4"-20
62	3	YNHX08006	HEX NUT, 1/4"-28
63	1	YNHX10005	HEX NUT, 5/16"
64	6	YNHX12005	HEX NUT, 3/8"-16
65	2	YNJM12005	HEX NUT, JAM, 3/8"-16
66	2	YNJM20010	HEX NUT, JAM, 5/8"-18

NOTE: * MEANS NOT SHOWN

FIGURE 10

SHIELDS

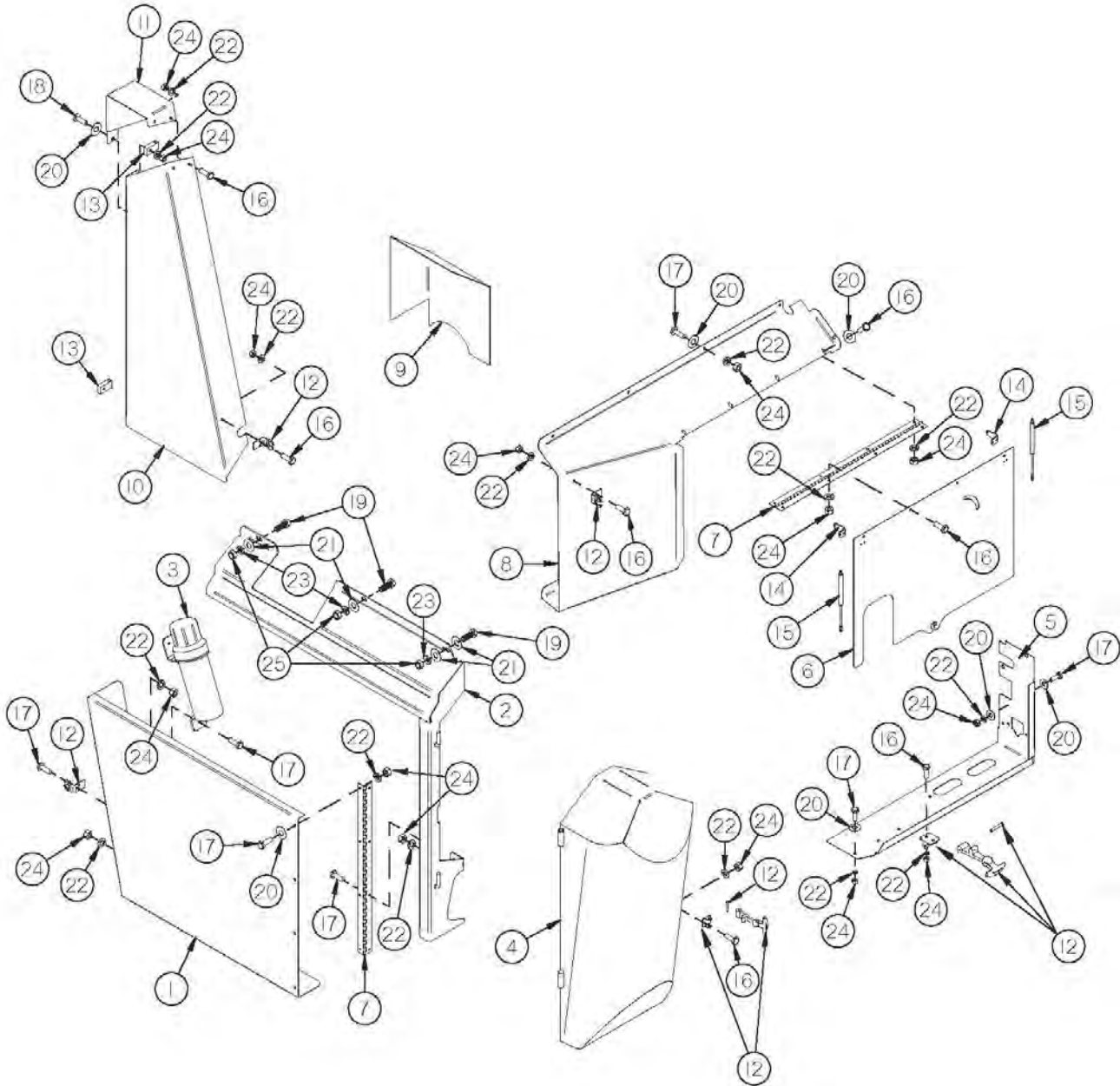


FIGURE 10

SHIELDS

<u>ITEM</u>	<u>QTY</u>	<u>PART #</u>	<u>DESCRIPTION</u>
1	1	SD106	MAIN SIDE SHIELD LOWER
2	1	SD161	HINGE BAR
3	1	S522	MANUAL HOLDER
4	1	SD162	FRONT CORNER ROUND SHIELD
5	1	SD192	FRONT SHIELD BOTTOM
6	1	SD191	FRONT SHIELD FACE
7	2	SD165	CONTINUOUS HINGE
8	1	SD166	FRONT SHIELD
9	1	SD111	GEARBOX SHIELD
10	1	SD167	SIDE SHIELD TOP
11	1	SD168	SHIELD TOP
12	9	X233	COMPLETE LATCH
13	2	SD169	LIFT-OFF HINGE
14	2	SD189	STRUT TOP MOUNT
15	2	SD190	GAS STRUT
16	14	YBHH08015	BOLT, 1/4" X 1/2" GR. 5
17	18	YBHH08100	BOLT, 1/4" X 3/4" GR. 5
18	2	YBHH08010	BOLT, 1/4" X 1" GR. 5
19	3	YBHH12010	BOLT, 3/8" X 1" GR. 5
20	17	YWFL08005	WASHER, FLAT, 1/4" USS
21	3	YWFL12005	WASHER, FLAT, 3/8" USS
22	34	YWLO08005	WASHER, LOCK, 1/4"
23	3	YWLO12005	WASHER, LOCK, 3/8"
24	34	YNHX08005	HEX NUT, 1/4"-20
25	3	YNHX12005	HEX NUT, 3/8"-16

FIGURE 11
BEATER GEARBOX

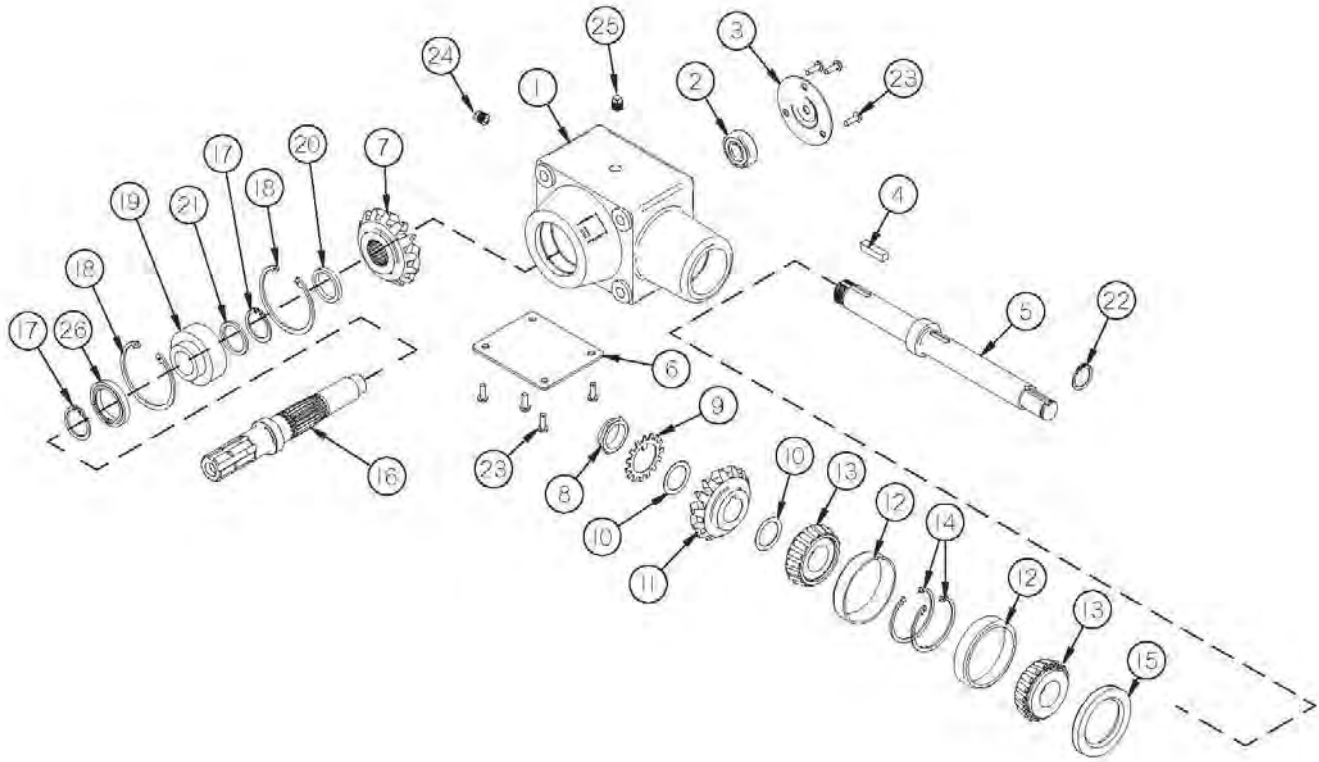


FIGURE 11

BEATER GEARBOX

<u>ITEM</u>	<u>QTY</u>	<u>PART #</u>	<u>DESCRIPTION</u>
1	1	SD69	GEARBOX HOUSING
2	1	GM259	BEARING (6205C3)
3	1	GM258	COVER
4	1	GM264	5/16" X 1" KEY
5	1	SD256	INPUT SHAFT
6	1	GM257	SIDE COVER
7	1	GM267	BEVEL GEAR (SPLINED)
8	1	GM260	BEARING LOCK NUT (N-06)
9	1	GM261	BEARING LOCK WASHER (W-06)
10	2	GM262	INPUT SHIM
11	1	GM263	BEVEL GEAR (KEYED)
12	2	3G18	RACE (15245)
13	2	SD71	BEARING (15123)
14	2	SD72	RETAINING RING (N5000-244)
15	1	SD257	SEAL (471831)
16	1	SDSH30	OUTPUT SHAFT
17	2	SD85	RETAINING RING (5100-137)
18	2	G55	RETAINING RING
19	1	SD75	BEARING (207P)
20	1	SD103	GEARBOX BEARING SPACER
21	1	SD104	GEARBOX GEAR SPACER
22	1	SD171	SNAP RING
23	7	YBHH10105	BOLT, 5/16" X 3/4" GR. 5
24	1	58498	1/2" PIPE PLUG, SH
25	1	3G20	PLASTIC VENT PLUT
26	1	8595	SEAL
27	1	G89	ZERK, 1/4"-28 STRAIGHT
*	1	SD76	COMPLETE GEARBOX

NOTE: * MEANS NOT SHOWN

FIGURE 12
WORM GEARBOX

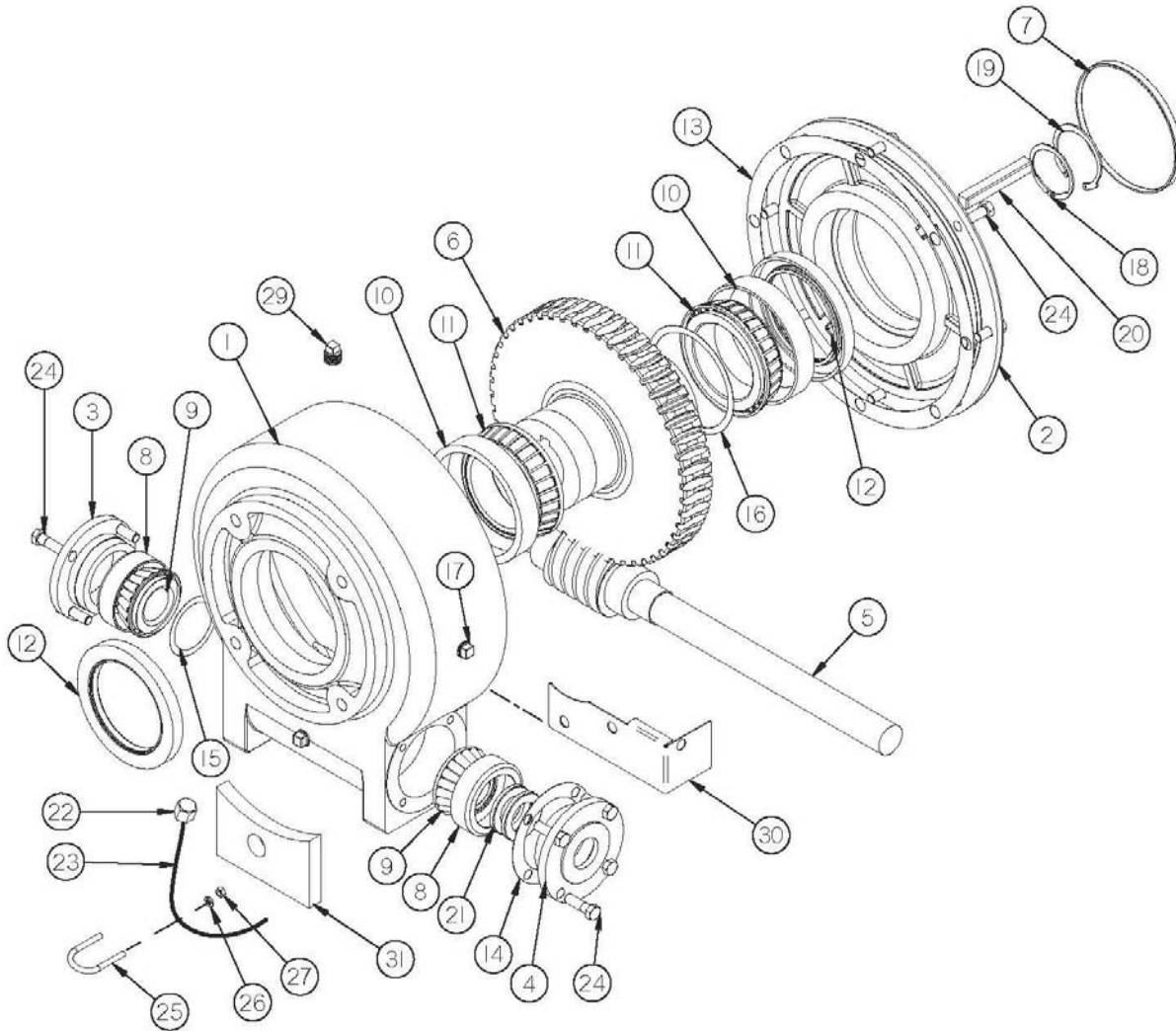


FIGURE 12

WORM GEARBOX

<u>ITEM</u>	<u>QTY</u>	<u>PART#</u>	<u>DESCRIPTION</u>
1	1	SD116	HOUSING
2	1	SD117	OUTPUT COVER
3	1	SD118	ENDCAP, SOLID
4	1	SD119	ENDCAP, THRU
5	1	SD120	INPUT WORM SHAFT
6	1	SD121	GEAR WHEEL
7	1	SD122	CAP
8	1	SD123	RACE
9	1	SD124	BEARING
10	2	SD125	RACE
11	1	SD126	BEARING
12	1	SD127	SEAL, OUTPUT
13	1	SD128	GASKET, COVER
14	1	SD129	GASKET, INPUT
15	1	SD130	INPUT SHIM
16	1	SD131	OUTPUT SHIM
17	2	58498	1/2" PLUG PLUG SH
18	1	SD135	RETAINING RING (5108-200)
19	1	SD136	RETAINING RING (5008-250)
20	1	SD137	KEY 1/2" SQUARE X 3-1/2"
21	2	SD138	SEAL, INPUT
22	1	SD139	CAP (5406-C-8)
23	1	SD258	FILLER HOSE 10-1/2" (1/2" MP TO 1/2" MP)
24	16	YBHH12010	BOLT, 3/8" X 1" GR. 5
25	1	YBPU08003	PIPE U BOLT, 1/4"-20 X 1/2" ZINC
26	2	YWLO08005	WASHER, LOCK, 1/4"
27	2	YNHX08005	HEX NUT, 1/4"-20
28	1	SD133	BUSHING 1/2"-14 TO 1/8"-27
29	1	SD134	VENT
*	1	SD140	COMPLETE GEARBOX
30	1	56966	WORM BOX SHIELD
31	1	SD318	FOAM BLOCK

NOTE: * MEANS NOT SHOWN

FIGURE 13

REAR UNLOAD ASSEMBLY

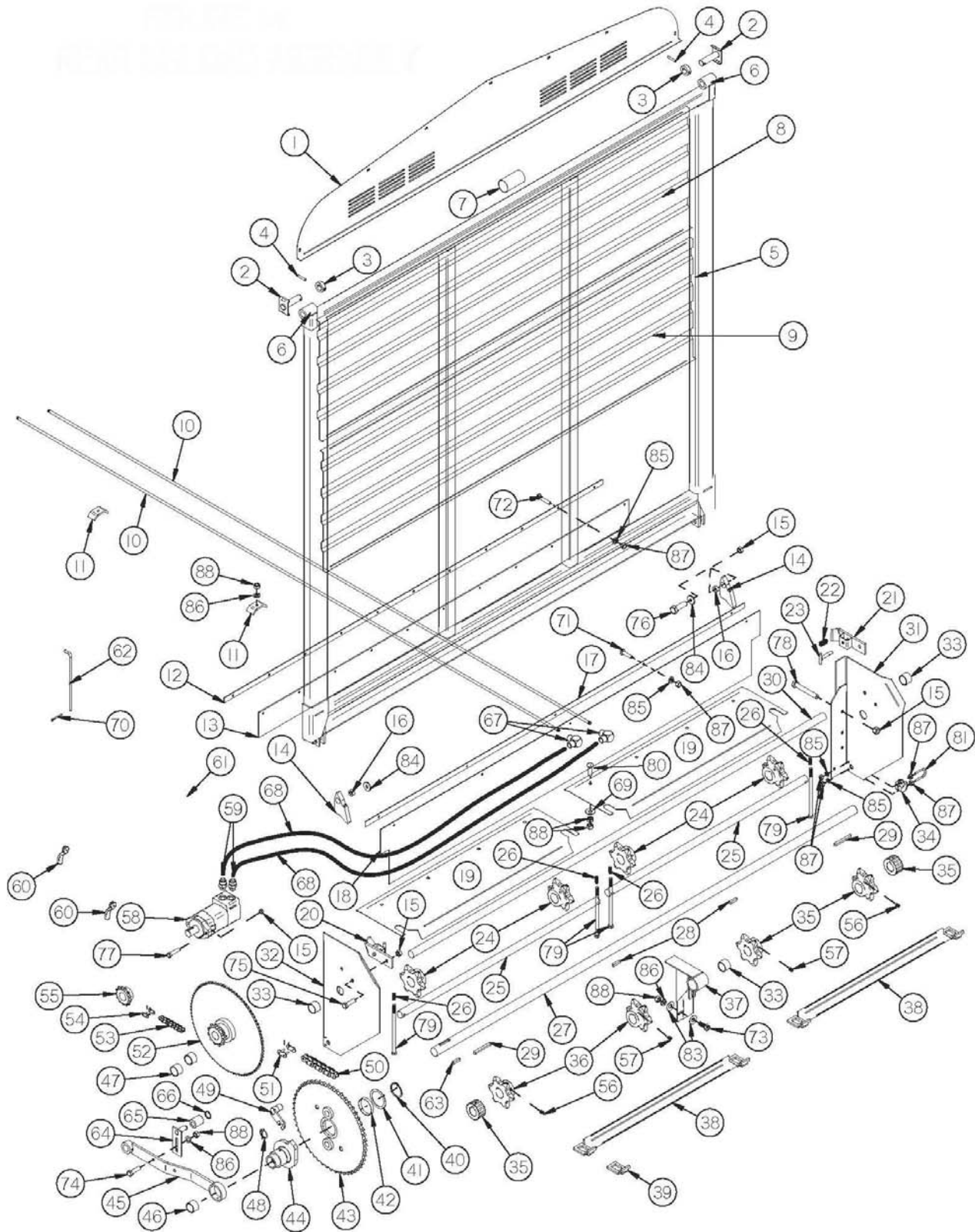


FIGURE 13

REAR UNLOAD ASSEMBLY

<u>ITEM</u>	<u>QTY</u>	<u>PART #</u>	<u>DESCRIPTION</u>
1	1	PB72	BACK DOOR TOP PANEL
2	2	PB129	HINGE PIN
3	2	PB130	COLLAR
4	2	3G22	EXPANSION PIN
5	1	60221	BACK DOOR FRAMEWORK
6	2	PB65	HINGE
7	1	PB66	GUARD
8	1	PB23	BACK DOOR TOP STEEL
9	1	PB24	BACK DOOR BOTTOM STEEL
10	2	PB102	HYDRAULIC PIPE 20'
11	7	23N67	HOSE HOLDER
12	1	S288	SEAL STRAP
13	1	PB54	RUBBER SEAL
14	1	59883	DOOR LATCH BAR
15	12	YNRL16005	HEX NUT, REVERSIBLE-SIDE LOCK, 1/2" - 13
16	2	60088	LATCH SPACER
17	1	PB103	POLY SHIELD STRAP
18	1	PB104	POLY SHIELD
19	2	IFB56	DRIVE SHAFT PANEL
20	1	IFB58	REAR DOOR LOCK LATCH LEFT
21	1	IFB57	REAR DOOR LOCK LATCH RIGHT
22	2	IFB110	DOOR LATCH SPRING
23	2	IFB109	DOOR LATCH PIN
24	4	S60	IDLER SHAFT SPROCKET (8 PCS.)
25	2	PB89	TIGHTENER SHAFT
26	1	WM210	SPRING - RED
27	1	PB253	DRIVE SHAFT
28	2	PB87	KEY 3/8" X 2" SQUARE
29	2	PB133	KEY 3/8" X 4-3/8" SQUARE
30	1	PB90	INSIDE IDLER SHAFT
31	1	PB257	DRIVE SHAFT MOUNT RIGHT
32	1	PB256	DRIVE SHAFT MOUNT LEFT
33	3	S50	BUSHING 1-3/4"OD X 1-1/2" ID X 2-1/2"
34	1	F33	CABLE GUIDE
35	2	PB175	LATCH SPROCKET
36	4	SD213	DRIVE SHAFT SPROCKET
37	1	PB258	CENTER BEARING BRACKET
38	1	S233	667XH PINTLE SLAT WITH ATTACHMENT LINKS
*	1	11S50	667XH PINTLE ATTACHMENT LINK RH OR LH
*	1	S326	667XH COMPLETE PINTLE APRON 20'
39	1	11S51	667XH PINTLE CONNECTOR LINK
40	1	23N227	SNAP RING
41	1	PB126	CLUTCH SPROCKET WASHER
42	1	PB135	BUSHING
43	1	PB193	52 TOOTH SPROCKET
44	1	PB252	REAR CLUTCH DOG
45	1	PB251	DRIVE SHAFT BRACE
46	1	PB134	BUSHING 2-1/2" OD X 2-1/4" ID X 1" Long

NOTE: * MEANS NOT SHOWN

FIGURE 13
REAR UNLOAD ASSEMBLY

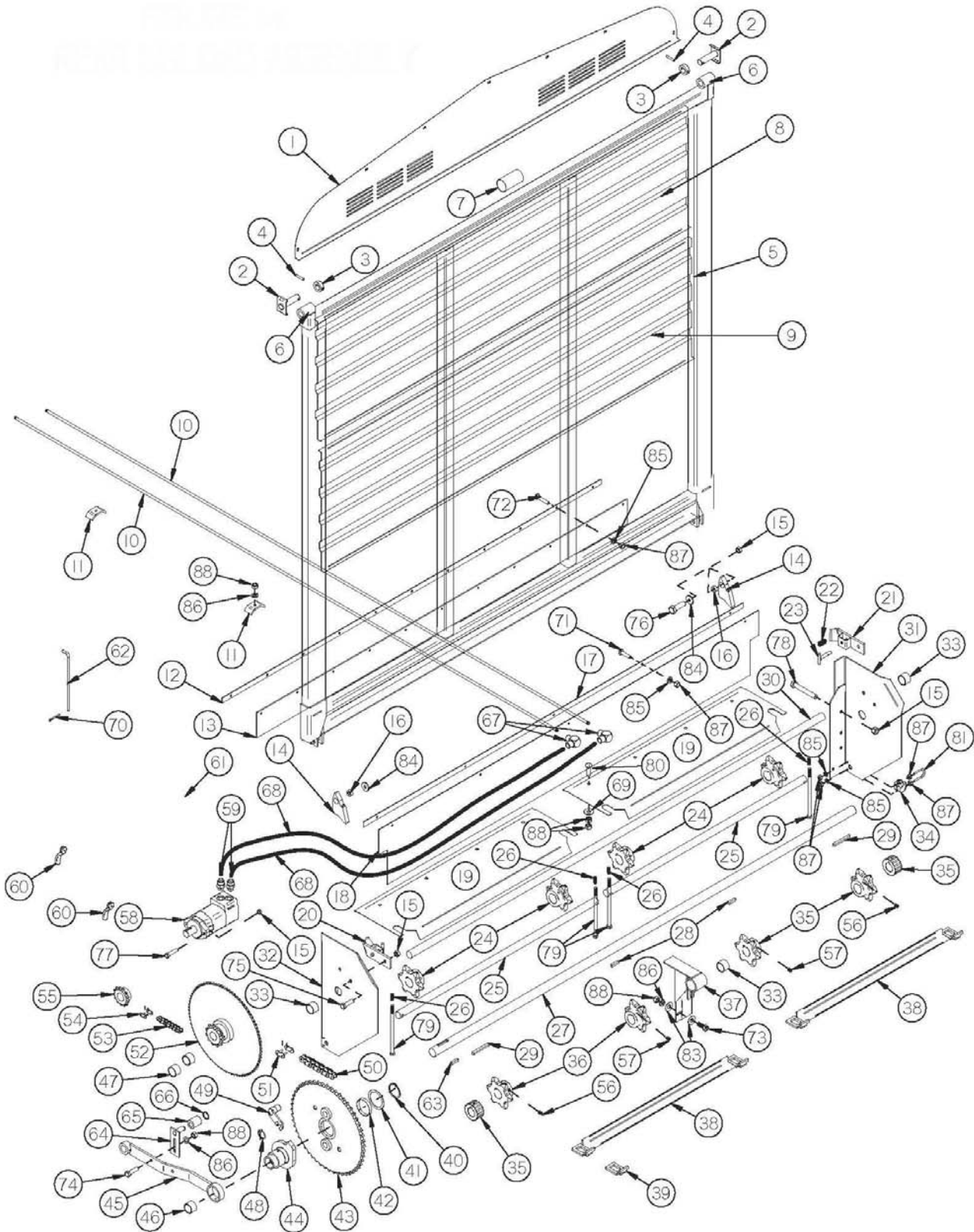


FIGURE 13

REAR UNLOAD ASSEMBLY

<u>ITEM</u>	<u>QTY</u>	<u>PART#</u>	<u>DESCRIPTION</u>
47	2	PB108	BUSHING 1-1/2" OD X 1-1/4" ID X 1-3/4"
48	1	PB190	LYNCH PIN
49	1	PB191	CLUTCH PIN
50	1	PB114	#80 CHAIN 73 PITCHES
51	1	F157	#80 CONNECTOR LINK
52	1	PB95	11 TOOTH TO 84 TOOTH SPROCKET
53	1	SD292	#50 CHAIN 96 PITCHES
54	1	X61	#50 CONNECTOR LINK
55	1	PB235	SPROCKET 2000 SERIES
56	2	YSKP10010	SET SCREW, SOCKET, KNURLED CUP
57	2	YSKP12010	SET SCREW, SOCKET, KNURLED CUP
58	1	16SV150	HYDRAULIC MOTOR
59	2	GM27	STRAIGHT THREAD CONNECTOR (8-10F50X)
60	2	S192	HANDLE NUT
61	1	PB138	REAR SHAFT SHIELD
62	1	PB100	HINGE PIN
63	1	56N174	3/8" X 2" SQUARE KEY W/ROUND ENDS (HARDENED)
64	1	17G69	CHAIN TIGHTENER BRACKET
65	1	23N238	CHAIN TIGHTENER ROLLER
66	1	10R32	SNAP RING
67	2	50N135	1/2"-90° ELBOW (FEMALE)
68	2	SD308	HYDRAULIC HOSE 1/2" X 60" (139HY-8-8, 1/2MPX)
69	8	YWCU12005	WASHER, CUSTOM, FLAT, .435" ID. X 1-7/8" OD. X .125 THICK
70	1	YPCT05015	COTTER PIN, 5/32" X 1-1/4"
71	5	YBHH08010	BOLT, 1/4" X 1" GR. 5
72	11	YBHH08035	BOLT, 1/4" X 1-1/4" GR. 5
73	1	YBHH12010	BOLT, 3/8" X 1" GR. 5
74	2	YBHH12035	BOLT, 3/8" X 1-1/4" GR. 5
75	2	YBHH16045	BOLT, 1/2" X 1-1/4" GR. 5
76	2	YBHH16030	BOLT, 1/2" X 1-1/2" GR. 5
77	2	YBHH16095	BOLT, 1/2" X 2-1/4" GR. 5
78	6	YBHH16115	BOLT, 1/2" X 3-1/2" GR. 5
79	4	YBHH16190	BOLT, 1/2" X 9-1/2" GR. 5
80	8	YBCR12015	CARR. BOLT, 3/8" X 1-1/2" GR. 5
81	1	YBPU08005	PIPE U BOLT, 1/4"-20 X 3/4" PIPE, 1-1/4" ID, 2-1/4" IL, 1-1/4" THREAD
82	5	YWFL08005	WASHER, FLAT, 1/4" USS
83	2	YWFL12005	WASHER, FLAT, 3/8" USS
84	2	YWFL16005	WASHER, FLAT, 1/2" USS
85	18	YWLO08005	WASHER, LOCK, 1/4"
86	10	YWLO12005	WASHER, LOCK, 3/8"
87	20	YNHX08005	HEX NUT, 1/4"-20
88	26	YNHX12005	HEX NUT, 3/8"-16

NOTE: * MEANS NOT SHOWN

FIGURE 14
INDUSTRIAL 2-WAY UNLOAD

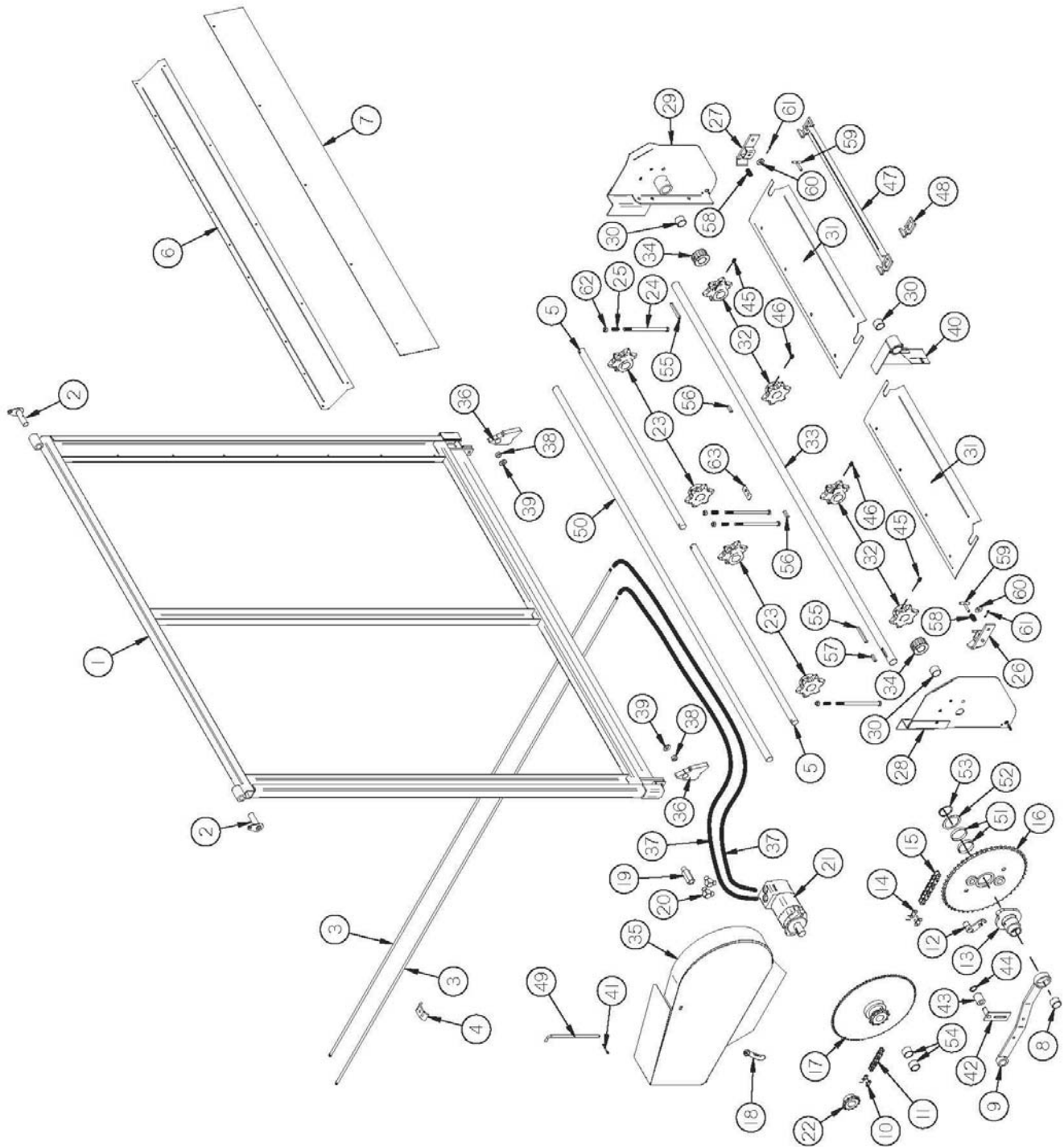


FIGURE 14

INDUSTRIAL 2-WAY UNLOAD

<u>PART #</u>				
<u>ITEM</u>	<u>22 FT</u>	<u>24 FT</u>	<u>26 FT</u>	<u>DESCRIPTION</u>
1	IFB55	"	"	REAR DOOR FRAMEWORK
2	IFB3	"	"	DOOR HINGE PIN
3	PB101	PB18	PB102	HYDRAULIC PIPE
4	23N67	"	"	PIPE CLAMP
5	PB89	"	"	IDLER SHAFTS
6	IFB59	"	"	POLY SEAL HOLDER
7	IFB60	"	"	POLY SEAL
8	PB134	"	"	BUSHING 2-1/2" OD X 2-1/4" ID X 1" Long
9	PB119	"	"	DRIVE SHAFT BRACE
10	X61	"	"	#50 CONNECTOR LINK
11	PB97	"	"	#50 CHAIN X 90 PITCH
12	PB191	"	"	CLUTCH PIN
13	PB118	"	"	REAR CLUTCH DOG
14	F157	"	"	#80 CONNECTOR LINK
15	PB114	"	"	#80 CHAIN 73 PITCHES
16	PB193	"	"	52 TOOTH SPROCKET
17	PB95	"	"	11 TOOTH TO 84 TOOTH SPROCKET
18	S192	"	"	HANDLE NUT
19	DF18	"	"	CHECK VALVE (1/2")
*	PB185	"	"	CHECK VALVE 3/4" (OPTION)
20	HE58	"	"	ELBOW 1/2" (2)
21	DF18	"	"	HYDRAULIC MOTOR
*	16SV150	"	"	HYDRAULIC MOTOR (OPTION)
22	PB235	"	"	SPROCKET 2000 SERIES
23	S60	"	"	IDLER SHAFT SPROCKET (8 PCS.)
24	YBHH16190	"	"	BOLT, 1/2" X 9-1/2" GR. 5
25	WM210	"	"	SPRING - RED
26	IFB58	"	"	REAR DOOR LOCK LATCH LEFT
27	IFB57	"	"	REAR DOOR LOCK LATCH RIGHT
28	IFB51	"	"	LH DRIVE SHAFT MOUNT
29	IFB52	"	"	RH DRIVE SHAFT MOUNT
30	23N17	"	"	DRIVE SHAFT MOUNT BUSHING
31	IFB56	"	"	DRIVE SHAFT PANEL
32	23N122	"	"	DRIVE SPROCKET (4)
33	PB194	"	"	DRIVE SHAFT
34	PB83	"	"	LATCH SPROCKET
35	PB138	"	"	REAR SHAFT SHIELD

NOTE: * MEANS NOT SHOWN

FIGURE 14
INDUSTRIAL 2-WAY

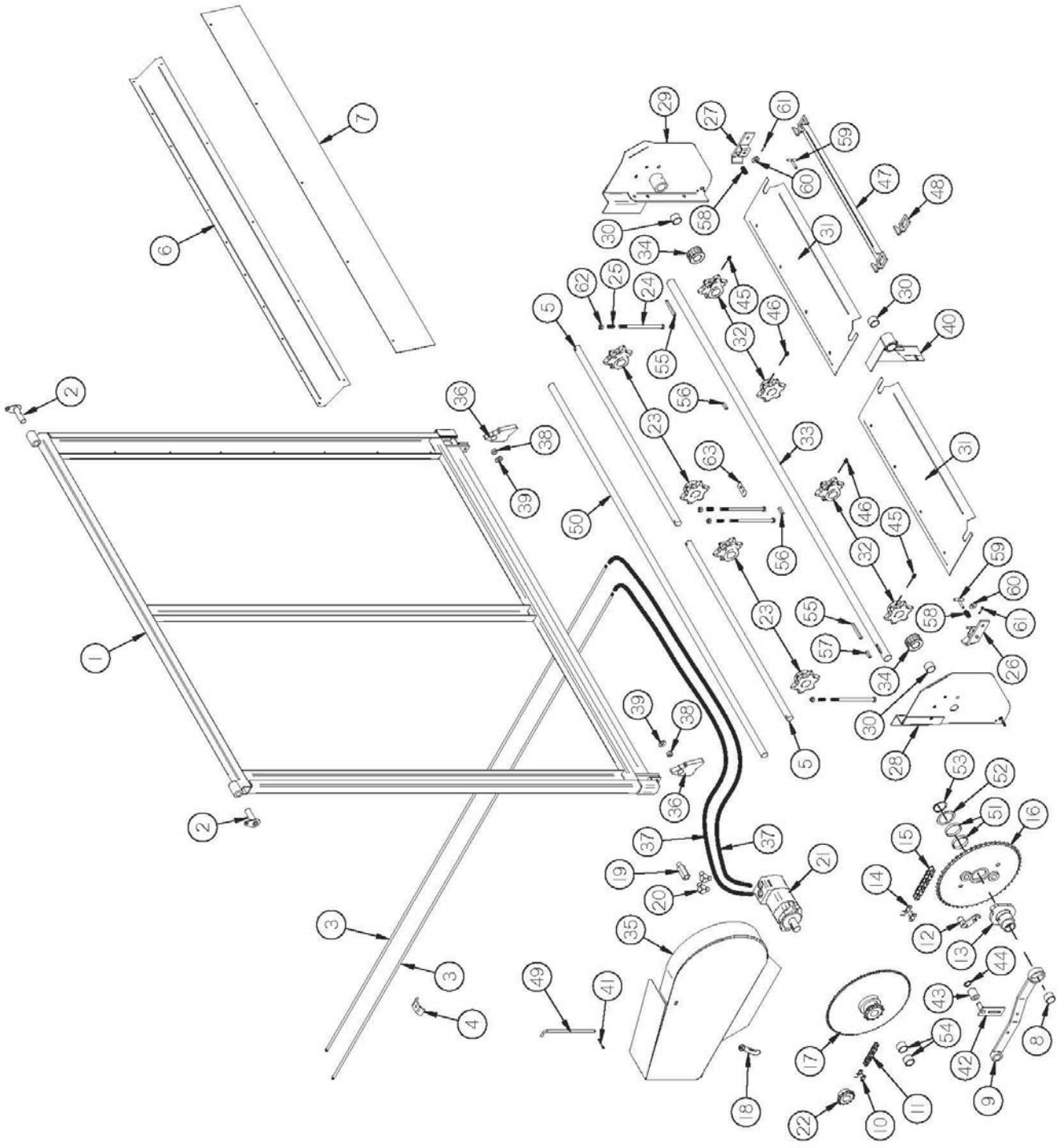


FIGURE 14

INDUSTRIAL 2-WAY UNLOAD

<u>ITEM</u>	<u>PART #</u>			<u>DESCRIPTION</u>
	<u>22 FT</u>	<u>24 FT</u>	<u>26 FT</u>	
36	59883	"	"	DOOR LATCH BAR
37	PB41	"	"	HYDRAULIC HOSE 1/2" X 60"
*	16SV144	"	"	HYDRAULIC HOSE 1/2" X 41" (OPTION)
38	60088	"	"	LATCH SPACER
39	YWFL16005	"	"	WASHER, FLAT, 1/2" USS
40	PB139	"	"	CENTER BEARING BRACKET
41	YPCT05015	"	"	COTTER PIN, 5/32" X 1-1/4"
42	17G69	"	"	CHAIN TIGHTENER BRACKET
43	23N238	"	"	CHAIN TIGHTENER ROLLER
44	10R32	"	"	SNAP RING
45	YSKP10010	"	"	SET SCREW, SOCKET, KNURLED CUP
46	YSKP12010	"	"	SET SCREW, SOCKET, KNURLED CUP
47	S233	"	"	SLAT W/ ATT. LINK - 667H PINTLE
*	S324	S325	S326	COMPLETE 667H APRON
48	11S51	"	"	667H PINTLE CONNECTOR LINK
*	11S50	"	"	667H PINTLE ATT. LINK LH OR RH
49	PB100	"	"	SHIELD HINGE PIN
50	PB90	"	"	INSIDE IDLER SHAFT
51	PB135	"	"	BUSHING
52	PB126	"	"	CLUTCH SPROCKET WASHER
53	23N227	"	"	SNAP RING
54	PB108	"	"	BUSHING 1-1/2" OD X 1-1/4" ID X 1-3/4"
55	PB133	"	"	KEY 3/8" X 4-3/8" SQUARE
56	PB87	"	"	KEY 3/8" X 2" SQUARE
57	PB136	"	"	KEY 3/8" X 2" SQUARE HARDENED W/ ROUND ENDS
58	IFB110	"	"	DOOR LATCH SPRING
59	IFB109	"	"	DOOR LATCH PIN
60	YWFL16005	"	"	WASHER, FLAT, 1/2" USS
61	YPCT05015	"	"	COTTER PIN, 5/32" X 1-1/4"
62	YNL16005	"	"	HEX NUT, TOP LOCK, 1/2"-13
63	PB196	"	"	LOCK TAB

NOTE: * MEANS NOT SHOWN

FIGURE 15

4TH BEATER OPTION

<u>ITEM</u>	<u>QTY</u>	<u>PART #</u>	<u>DESCRIPTION</u>
1	1	S263	BEATER
2	1	SD83	GREASE BLOCK (3 PORT)
3	1	S264	LEFT HAND BEATER PANEL
4	1	S261	RIGHT HAND BEATER PANEL
5	1	S265	RIGHT HAND BEATER SHAFT
6	1	S451	LEFT HAND BEATER SHAFT
7	2	F14	BEARING FLANGE
8	2	12N122	BEARING (GREASEABLE TYPE)
9	2	F114	BEARING FLANGE W/ZERK
10	2	F73	SNAP RING
11	4	S47	GREASE LINE FITTING
12	2	SD142	GREASE LINE
13	1	G23B	KEY (5/16" X 1-3/8")
14	1	SD143	4TH BEATER SHIELD
15	1	S26	BEATER SPROCKET (20 T
16	1	SD144	CHAIN TIGHTENER
17	1	X61	#50 CONNECTOR LINK
18	1	SD145	4TH BEATER CHAIN (#50 X 72 PITCHES)
19	1	S266	3RD BEATER SPROCKET (#50 X 20 TOOTH TO 16 TOOTH)
20	1	SD146	GREASE BLOCK (4 PORT)
21	1	S262	SPACER
22	2	YBHH08100	BOLT, 1/4" X 3/4" GR. 5
23	6	YBHH12010	BOLT, 3/8" X 1" GR. 5
24	1	YBHH12120	BOLT, 3/8" X 3" GR. 5
25	4	YBHH12145	BOLT, 3/8" X 3-1/2" GR. 5
26	2	YWFL08005	WASHER, FLAT, 1/4" USS
27	4	YWFL12005	WASHER, FLAT, 3/8" USS
28	2	YWLO08005	WASHER, LOCK, 1/4"
29	7	YWLO12005	WASHER, LOCK, 3/8"
30	2	YNHX08005	HEX NUT, 1/4"-20
31	7	YNHX12005	HEX NUT, 3/8"-16
32	4	YNRL12005	HEX NUT, REVERSIBLE-SIDE LOCK, 3/8"-16

FIGURE 16

LIGHT HARNESS

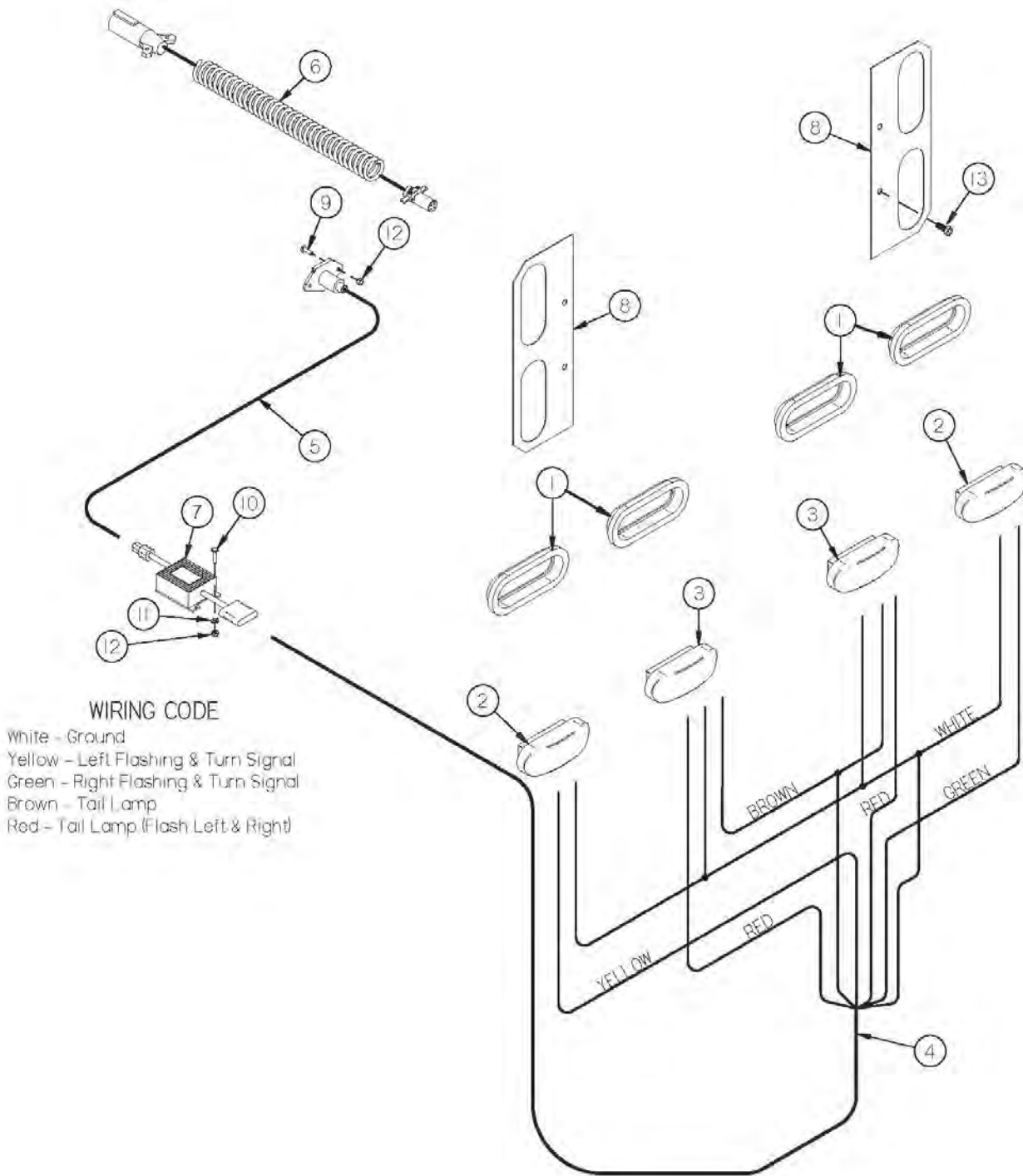


FIGURE 16

LIGHT HARNESS

<u>ITEM</u>	<u>QTY</u>	<u>PART #</u>	<u>DESCRIPTION</u>
1	4	S308	RUBBER LIGHT MOUNT
2	2	S309	AMBER LIGHT
3	2	S310	RED LIGHT
4	1	PB232	LIGHT HARNESS (6 WIRE)
5	1	S443	16' LONGITUDINAL CORD (4 WIRE)
*	1	S442	18' LONGITUDINAL CORD (4 WIRE)
*	1	S439	20' LONGITUDINAL CORD (4 WIRE)
6	1	TLPC	TRACTOR CORD (OPTIONAL)
7	1	S441	LIGHT MODULE
8	2	PB111	TAILLIGHT BRACKETS (2-WAY ONLY)
*	1	PB239	16' COMPLETE LIGHT ASSEMBLY LESS OPTIONAL TRACTOR CORD
*	1	PB240	18' COMPLETE LIGHT ASSEMBLY LESS OPTIONAL TRACTOR CORD
*	1	PB241	20' COMPLETE LIGHT ASSEMBLY LESS OPTIONAL TRACTOR CORD
9	2	YBHH08015	BOLT, 1/4" X 1/2" GR. 5
10	3	YBHH08010	BOLT, 1/4" X 1" GR. 5
11	3	YWLO08005	WASHER, LOCK, 1/4"
12	5	YNHX08005	HEX NUT, 1/4"-20
13	6	YSHW10010	5/16"-18 X 1-1/4" HEX WASHER SLOT TYPE F ZINC THREAD CUTTING SCREW

NOTE: * MEANS NOT SHOWN

FIGURE 17
UNIT HARNESS ROUTING

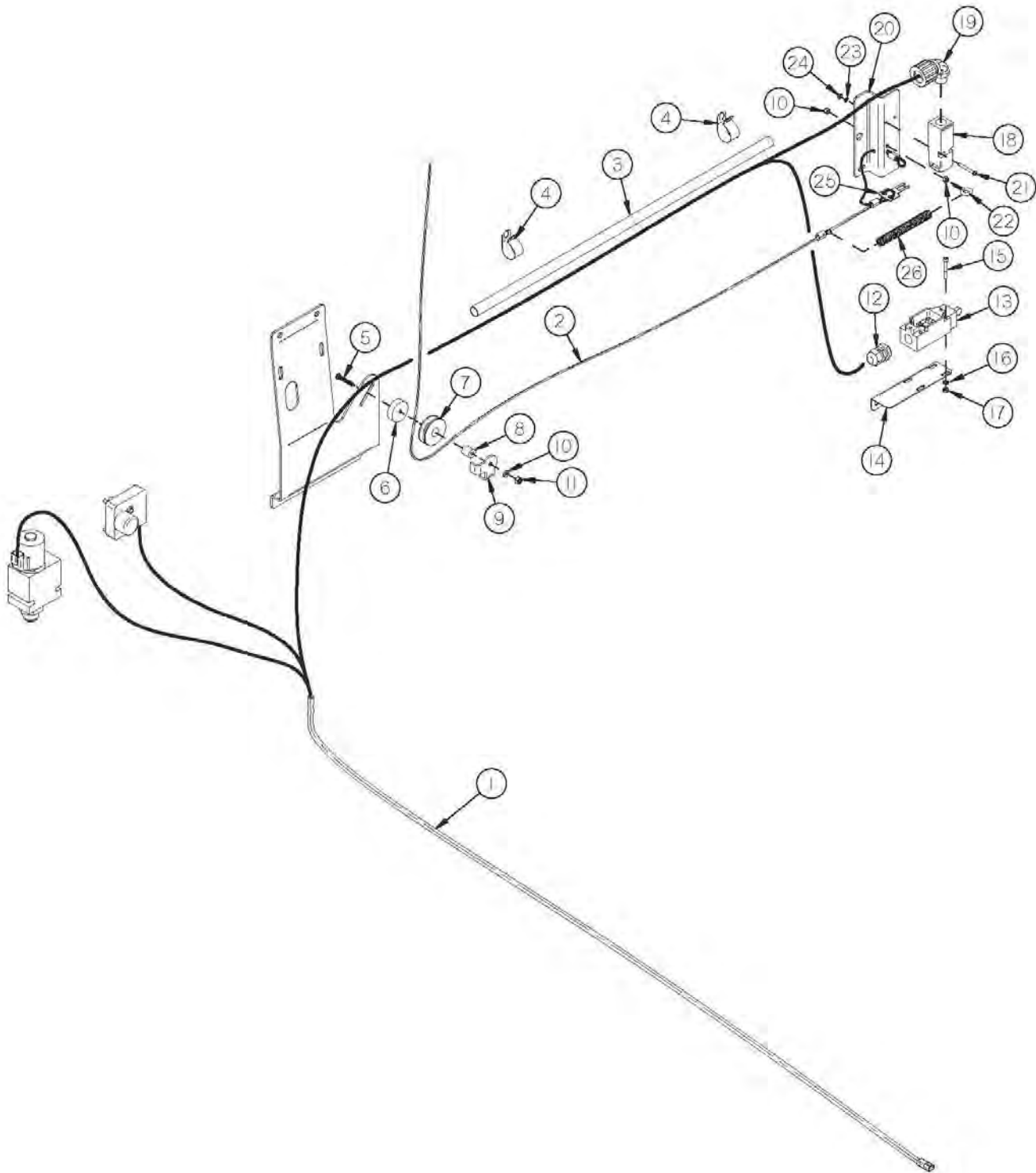


FIGURE 17

UNIT HARNESS ROUTING

<u>ITEM</u>	<u>QTY</u>	<u>PART #</u>	<u>DESCRIPTION</u>
1	1	SDHMS01	UNIT HARNESS
2	1	SDHAS11	SAFETY CABLE ROUTE
3	1	SD251	WIRE SHIELD
4	2	HGV72	WIRE CLAMP #12
5	1	YBCR08020	CARR. BOLT, 1/4 X 2"
6	1	SDHPL02	SAFETY KEY SPACER
7	1	SDHPL01	POLY PULLEY
8	1	SDHSH01	POLY PULLEY AXLE
9	1	SDH14G01	CABLE GUIDE
10	1	YWLO08005	WASHER, LOCK, 1/4"
11	1	YNHX08005	HEX NUT, 1/4"-20
12	1	GD23	STRAIN RELIEF
*	1	56120	STRAIN RELIEF LOCK NUT
13	1	SD252	MICRO SWITCH GLAA01C
14	1	SD250	LIMIT SWITCH MOUNT
15	4	YSHS64008	SOCKET HEAD CAP SCREW, #10-32 X 1-1/2" BLACK OXIDE
16	4	YWSI64005	WASHER, LOCK, STAR, EXTERNAL, #10
17	4	YNHX64005	HEX NUT, #10-32
18	1	53523	SAFETY SWITCH
19	1	MS10	STRAIN RELIEF 1/2" 90 DEGREE
20	1	SDH10G01	SAFETY SWITCH EXTENSION MOUNT
21	2	YSMP62015	#8-32 X 1-1/2" PHILLIPS PAN HEAD SCREW
22	1	YBTE08005	TURNED EYE BOLT, 1/4" X 1" FULL THREAD
23	2	YWSI62005	#8 EXTERNAL TOOTH LOCK WASHER
24	2	YNHX62005	#8-32 HEX MACHINE SCREW NUT, ZINC PLATED
25	1	53524	SAFETY KEY INTERLOCK
26	1	LW111	SPRING

NOTE: * MEANS NOT SHOWN

FIGURE 18
HYDRAULIC DRIVE CONTROL BOX

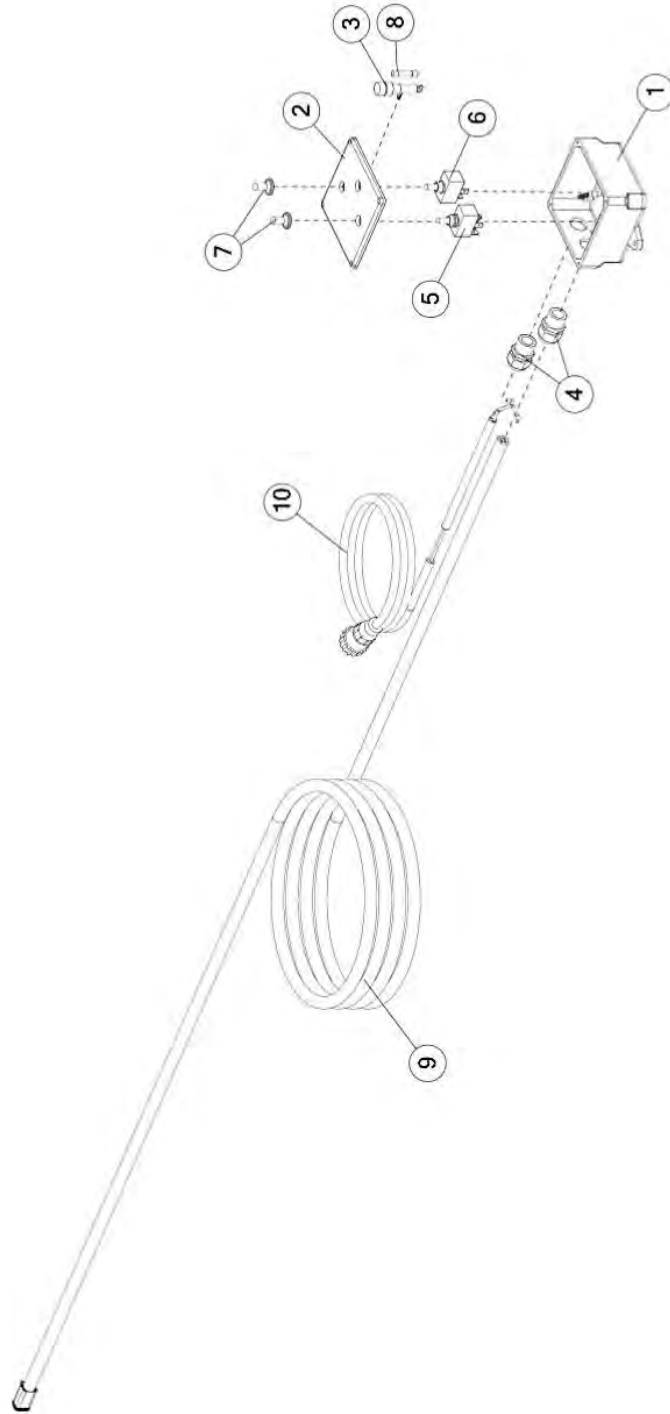


FIGURE 18

HYDRAULIC DRIVE CONTROL BOX

<u>ITEM</u>	<u>QTY</u>	<u>PART #</u>	<u>DESCRIPTION</u>
1	1	16SV228	CONTROL BOX
2	1	16SV230	CONTROL BOX COVER
3	1	16SV331	FUSE HOLDER
4	2	GD23	STRAIN RELIEF
*	1	56120	STRAIN RELIEF LOCK NUT, 1/2"
5	1	16SV319	AUGER SPEED SWITCH
6	1	16SV233	TOGGLE SWITCH SPST
7	2	16SV235	SWITCH BOOT
8	1	16SV232	FUSE
9	1	SDHMS06	CONTRIK BOX OUTPUT CORD
10	1	16SV271	POWER CORD
*	1	SDHAS05	UNIT CONTROL BOX (COMPLETE)

NOTE: * MEANS NOT SHOWN

FIGURE 19

EXTENSION HYDRAULICS

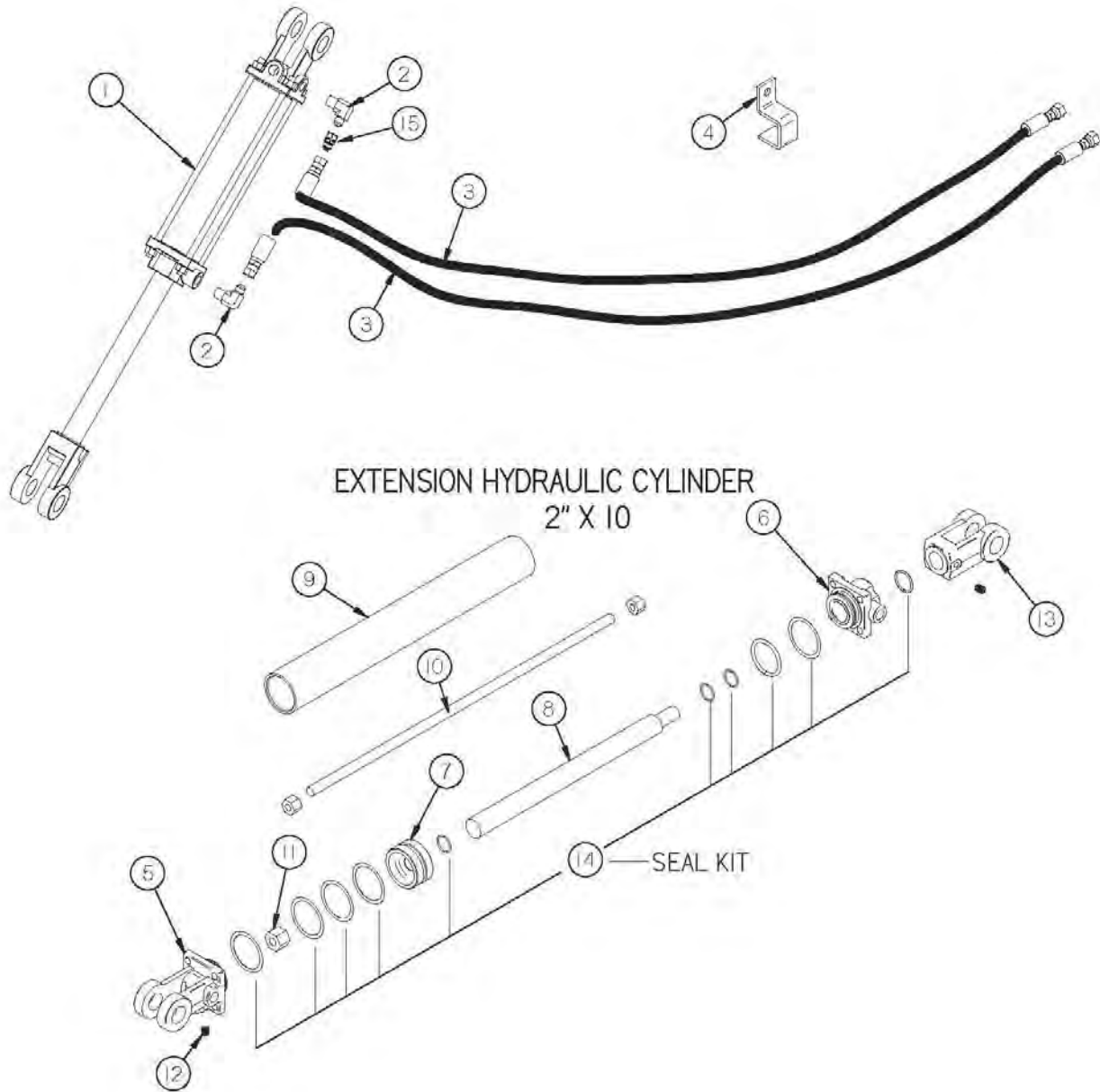


FIGURE 19

EXTENSION HYDRAULICS

<u>ITEM</u>	<u>QTY</u>	<u>PART #</u>	<u>DESCRIPTION</u>
1	1	56000	2" x 10" HYDRAULIC CYLINDER
2	2	CHM164	MALE CONNECTOR (6-6 CTX)
3	2	SDHMS03	HYDRAULIC HOSE 3/8" X 192" (106HY-6-6, 101HY-8-6)
4	4	HE14	HOSE CLAMP
5	1	23N142	CLEVIS CAP
6	1	56174	ROD CAP
7	1	56180	PISTON
8	1	16SV168	PISTON NUT
9	1	16SV169	TUBE
10	4	16SV170	TIE ROD
11	1	23N148	PISTON NUT
12	2	23N149	PLUG
13	1	23N150	ROD CLEVIS
14	1	56187	SEAL KIT
15	1	58144	FITTING 6 XHX7-S .062 ORIFICE

FIGURE 20
AIR GATE DELAY

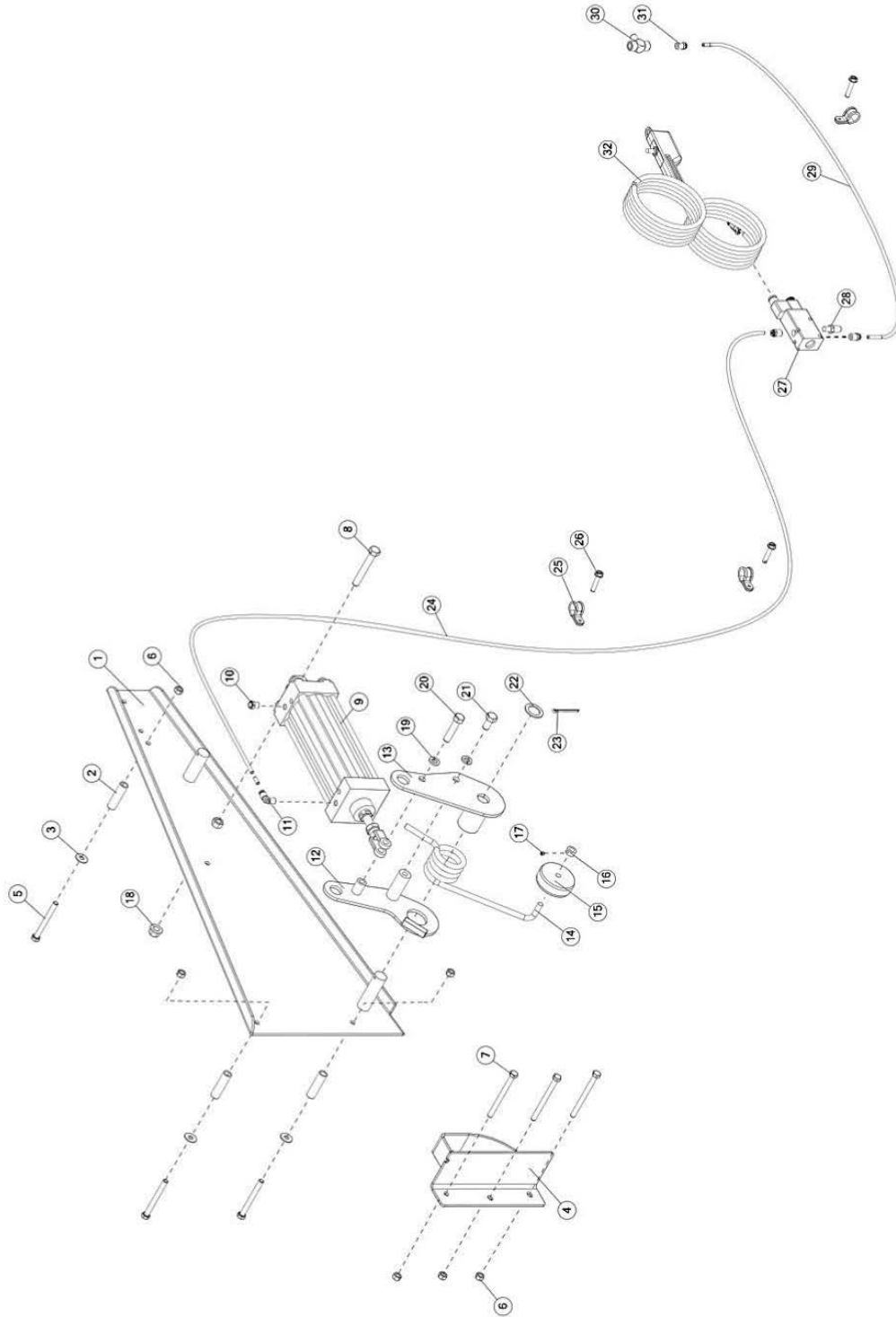


FIGURE 20

AIR GATE DELAY

<u>ITEM</u>	<u>QTY</u>	<u>PART #</u>	<u>DESCRIPTION</u>
1	1	60257	PIN WELDMENT
2	3	60404	STAKE SPACER
3	3	YWFL12005	WASHER, FLAT, 3/8 USS
4	1	69912	STOP, GATE DELAY
5	3	YBHH12160	BOLT, 3/8 X 3-3/4
6	6	YNRL12005	HEX NUT, REVERSIBLE-SIDE LOCK, 3/8-16
7	3	YBHH12185	BOLT, 3/8 X 4-1/2 GR 5
8	1	YBHH16115	BOLT, 1/2 X 3-1/2 GR 5
9	1	GD52	3-1/4" X 6" AIR CYL COMPLETE
10	1	GD8	1/4" VENT PLUG
11	1	GD5	MALE ELBOW, 1/4"
12	1	60266	SPRING MOUNT BOLT WELDMENT
13	1	69903	WLDMT, BRACKET, GATE DELAY
14	1	69884	SPRING
15	1	69875	SHAFT, RND, 3.0 X 1.00
16	1	60133	SPRING SET COLLAR
17	1	YSKP08005	SET SCREW, SOCKET, KNURLED CUP PT, 1/4 X
18	1	YNFG16005	1/4 HEX NUT, FLANGED-LOCK, 1/2-13 GRADE F
19	2	YWLO16005	(ZINC) WASHER, LOCK, 1/2
20	1	YBHH16095	BOLT, 1/2 X 2-1/4 GR 5
21	1	YBHH16045	BOLT, 1/2 X 1-1/4 GR 5
22	1	S345	PULLEY SPACER
23	1	YPCT06020	COTTER PIN, 3/16 X 2
24	1	GD10	1/4" D.O.T AIR TUBING
25	3	HGV162	RUBBER CUSHION CLAMP
26	3	YSHW10020	HWH TCS "F", 5-16-18 X 1-1/2"
27	1	GD16	3-WAY AIR VALVE (COMPLETE)
28	1	GD7	1/4" VENT PLUG (CONE SHAPED)
29	1	GD38	1/4" D.O.T. AIR TUBING X 10'
30	1	GD43	FEMALE TEE
31	2	GD6	MALE COUPLER, 1/4"
32	1	61598	HAND CONTROLLER (ON-OFF)

FIGURE 21

HYDRAULIC GATE DELAY

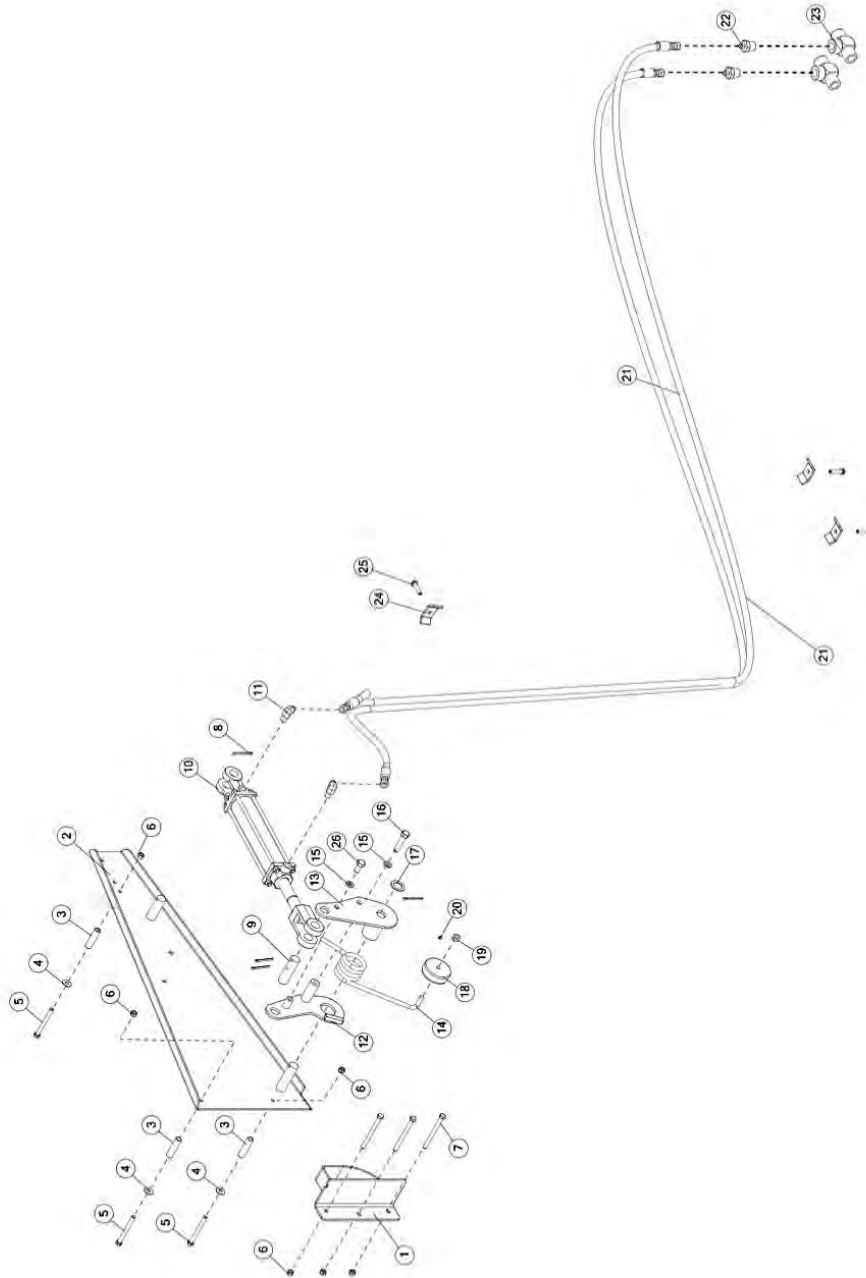


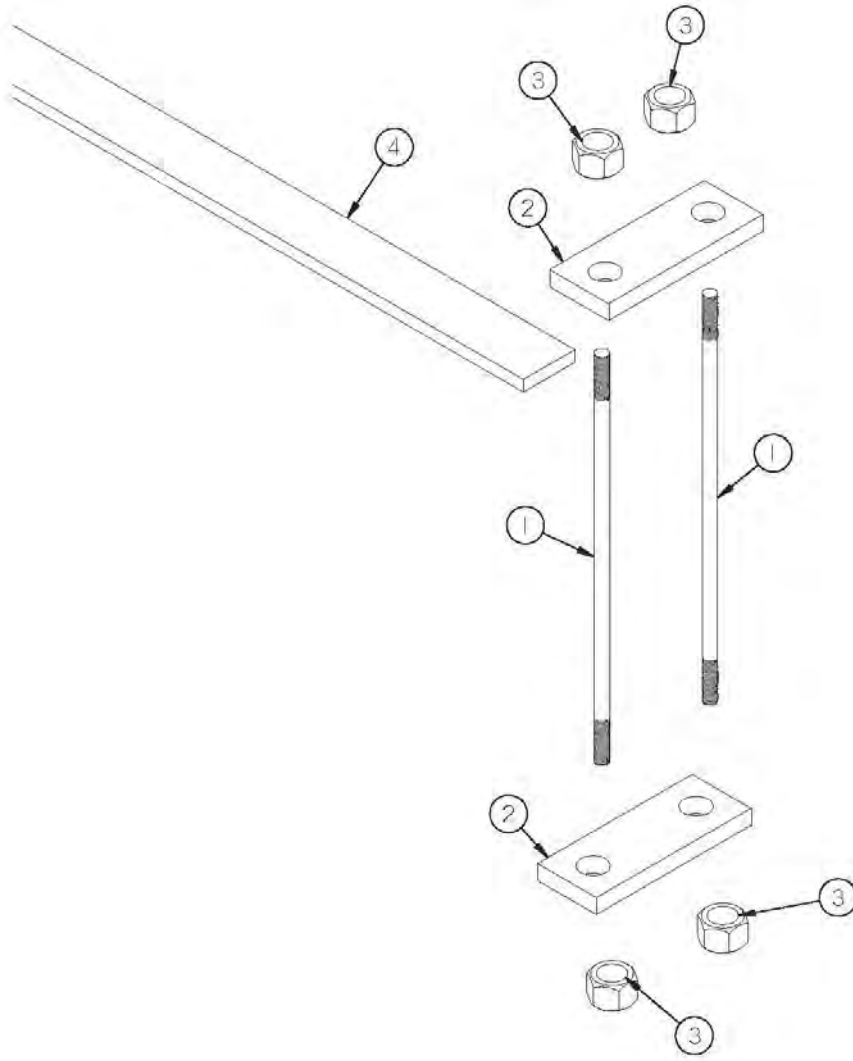
FIGURE 21

HYDRAULIC GATE DELAY

<u>ITEM</u>	<u>QTY</u>	<u>PART #</u>	<u>DESCRIPTION</u>
1	1	69912	STOP, GATE DELAY
2	1	60257	PIN WELDMENT
3	3	60404	STAKE SPACER
4	3	YWFL12005	WASHER, FLAT, 3/8 USS
5	3	YBHH12145	BOLT, 3/8 X 3-1/2 GR 5
6	6	YNRL12005	HEX NUT, REVERSIBLE-SIDE LOCK, 3/8-16
7	3	YBHH12185	BOLT, 3/8 X 4-1/2 GR 5
8	4	YPCT06020	COTTER PIN, 3/16 X 2
9	1	60192	GATE DELAY CYLINDER PIN
10	1	55999	2" X 8" HYDRAULIC CYLINDER
11	2	CHM164	MALE ELBOW CTX ~ 6-6 CTX
12	1	60266	SPRING MOUNT BOLT WELDMENT
13	1	69903	WLDMT, BRACKET, GATE DELAY
14	1	69884	SPRING
15	2	YWLO16005	WASHER, LOCK, 1/2
16	1	YBHH16045	BOLT, 1/2 X 1-1/4 GR 5
17	1	S345	PULLEY SPACER
18	1	69875	SHAFT, RND, 3.0 X 1.00
19	1	60133	SPRING SET COLLAR
20	1	YSKP08005	SET SCREW, SOCKET, KNURLED CUP PT, 1/4 X 1/4
21	2	60322	HOSE- GATE DELAY
22	2	60321	CONNECTOR, MALE, NPTF TO JIC
23	2	33SV71	SERVICE TEE, 3/4"
24	3	23N67	FRONT HOSE BRACKET
25	3	YSHW10020	HWH TCS "F", 5/16-18 X 1-1/2
26	1	YBHH16010	BOLT, 1/2" X 1 GR 5

FIGURE 22

TIEDOWN



<u>ITEM</u>	<u>QTY</u>	<u>PART #</u>	<u>DESCRIPTION</u>
1	16	FBC6	MOUNT BOLT (24")
2	16	FBC5	CHASSIS MOUNT PLATE
3	32	YNNY24006	HEX NUT, NYLON LOCKNUT, 3/4" (FINE)
4	2	S509	CHASSIS SPACER 1" x 4" x 22'

NOTE: * (AS SHOWN ON 22' BOX)

H&S MFG. CO.

products approved

for the

FEMA

SEAL OF QUALITY

